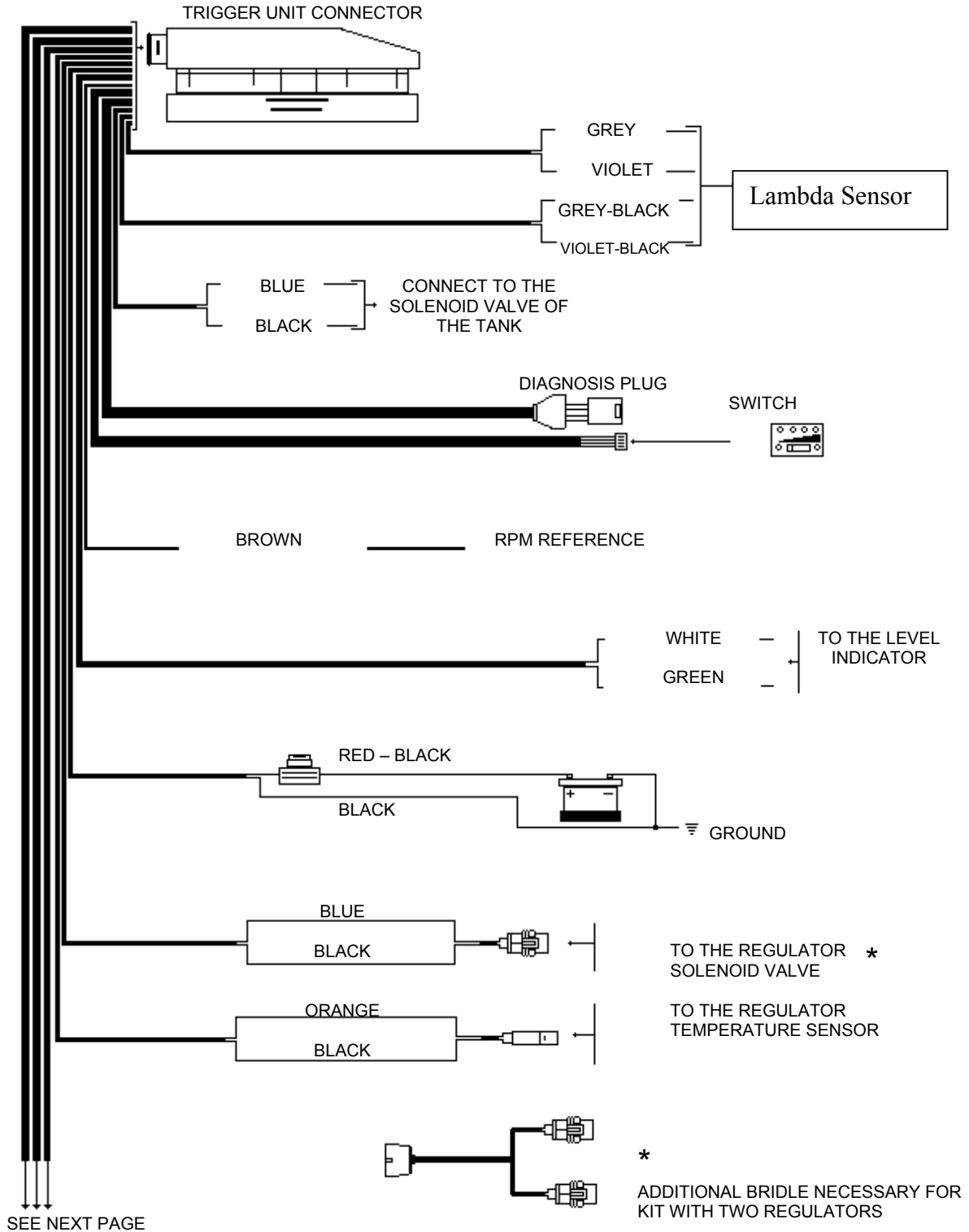
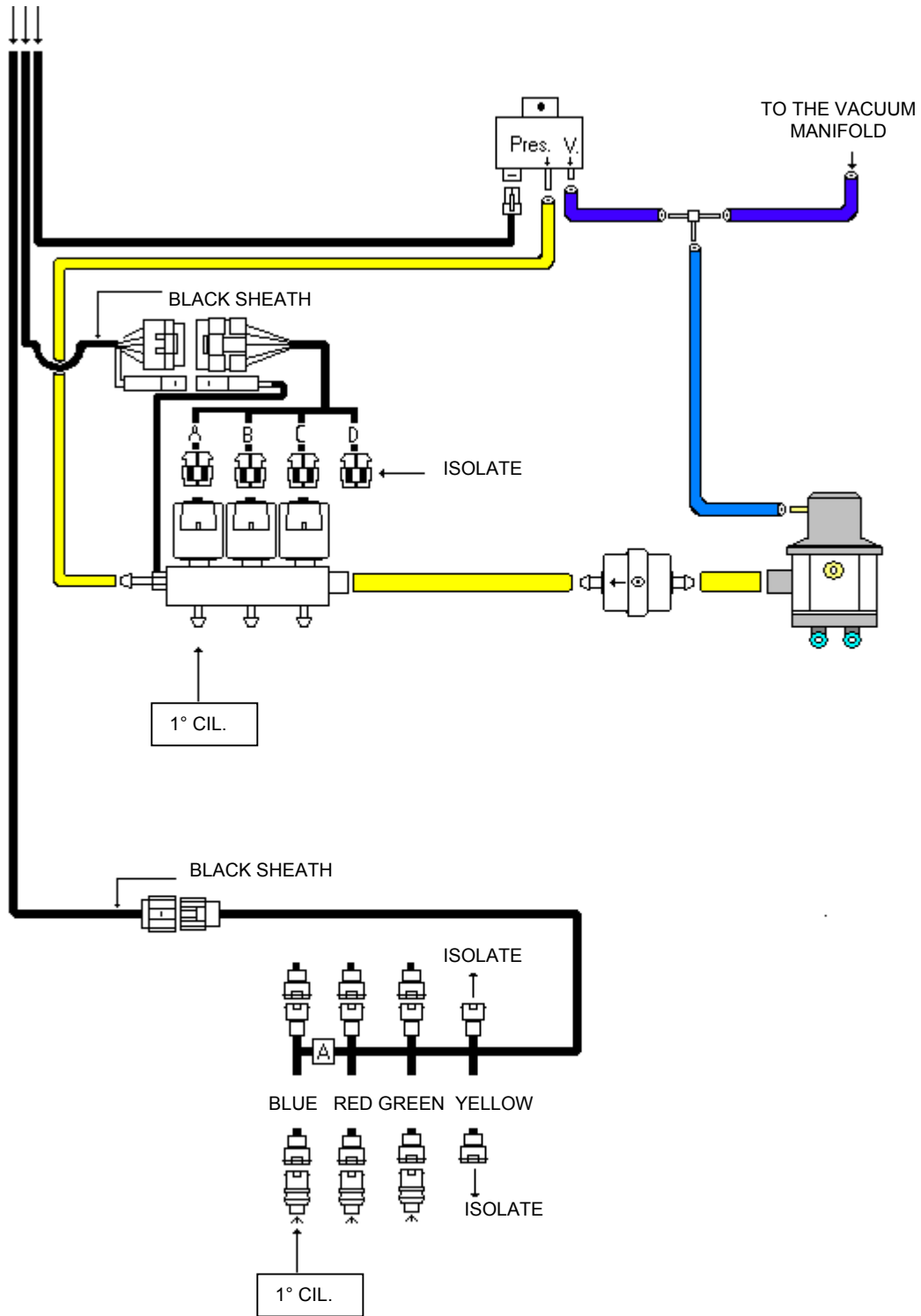


WIRING DIAGRAM FOR 3 – 4 CYLINDER VEHICLES



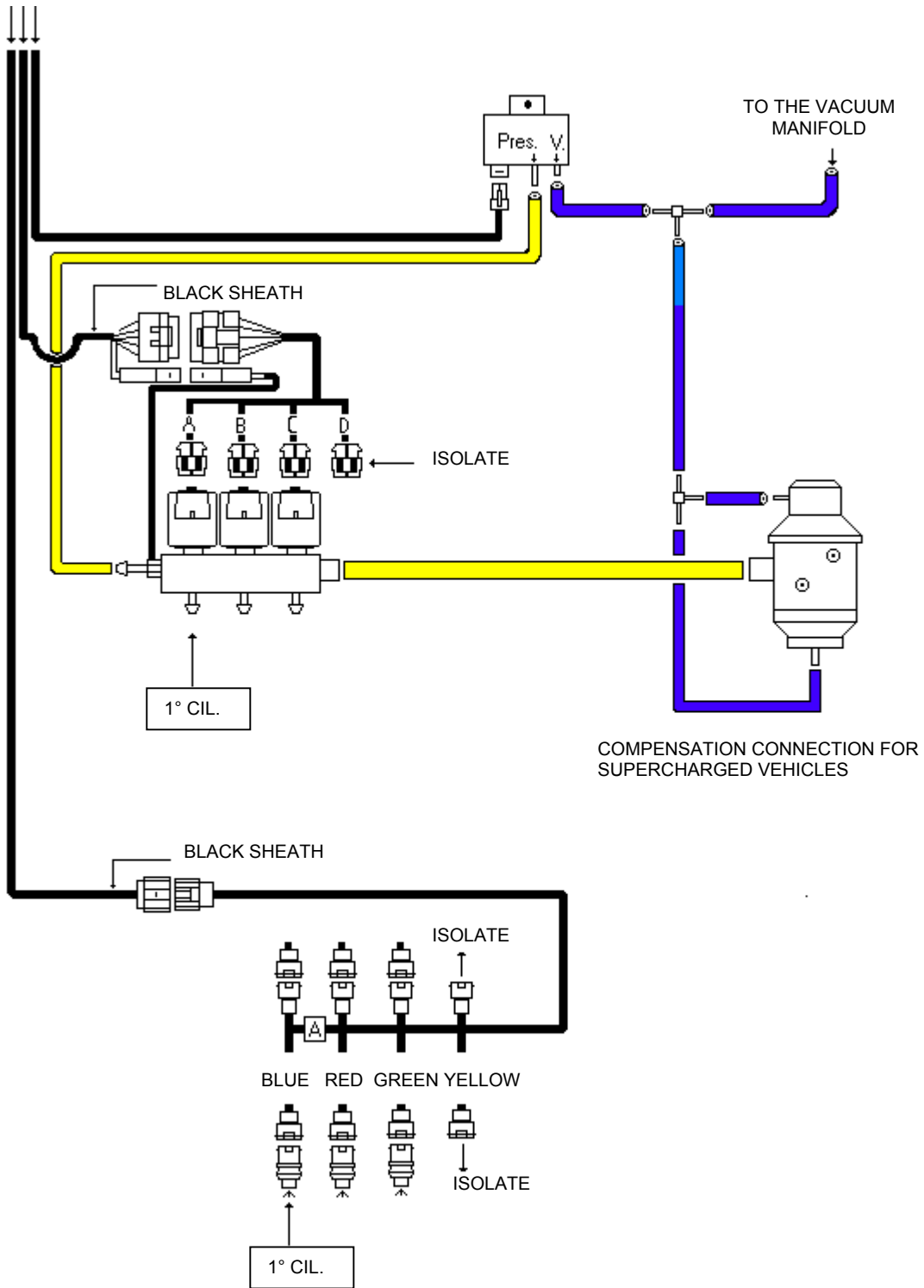
WIRING DIAGRAM FOR 3-CYLINDER VEHICLES LPG

See also the previous page



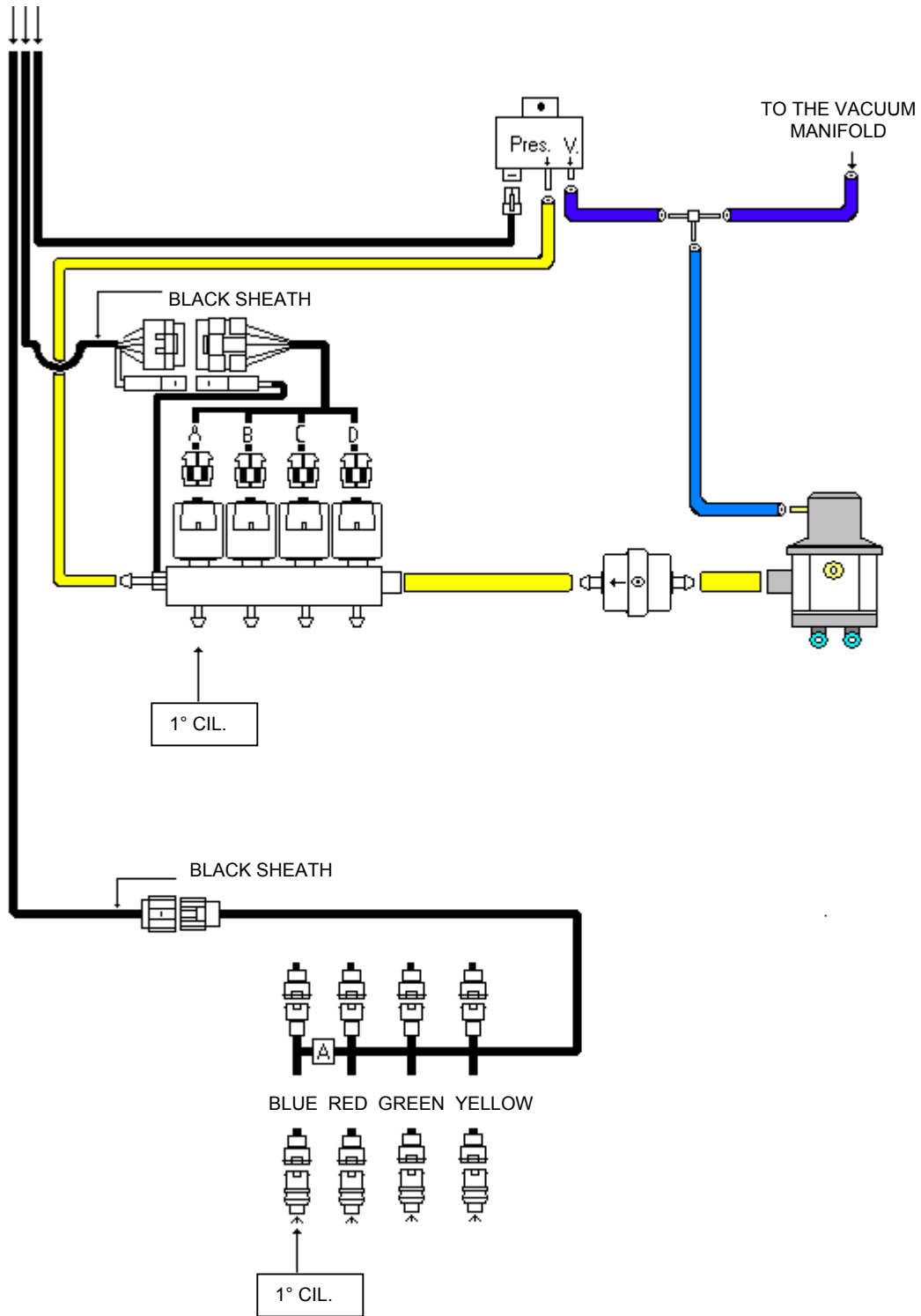
WIRING DIAGRAM FOR 3-CYLINDER VEHICLES CNG

See also the previous page



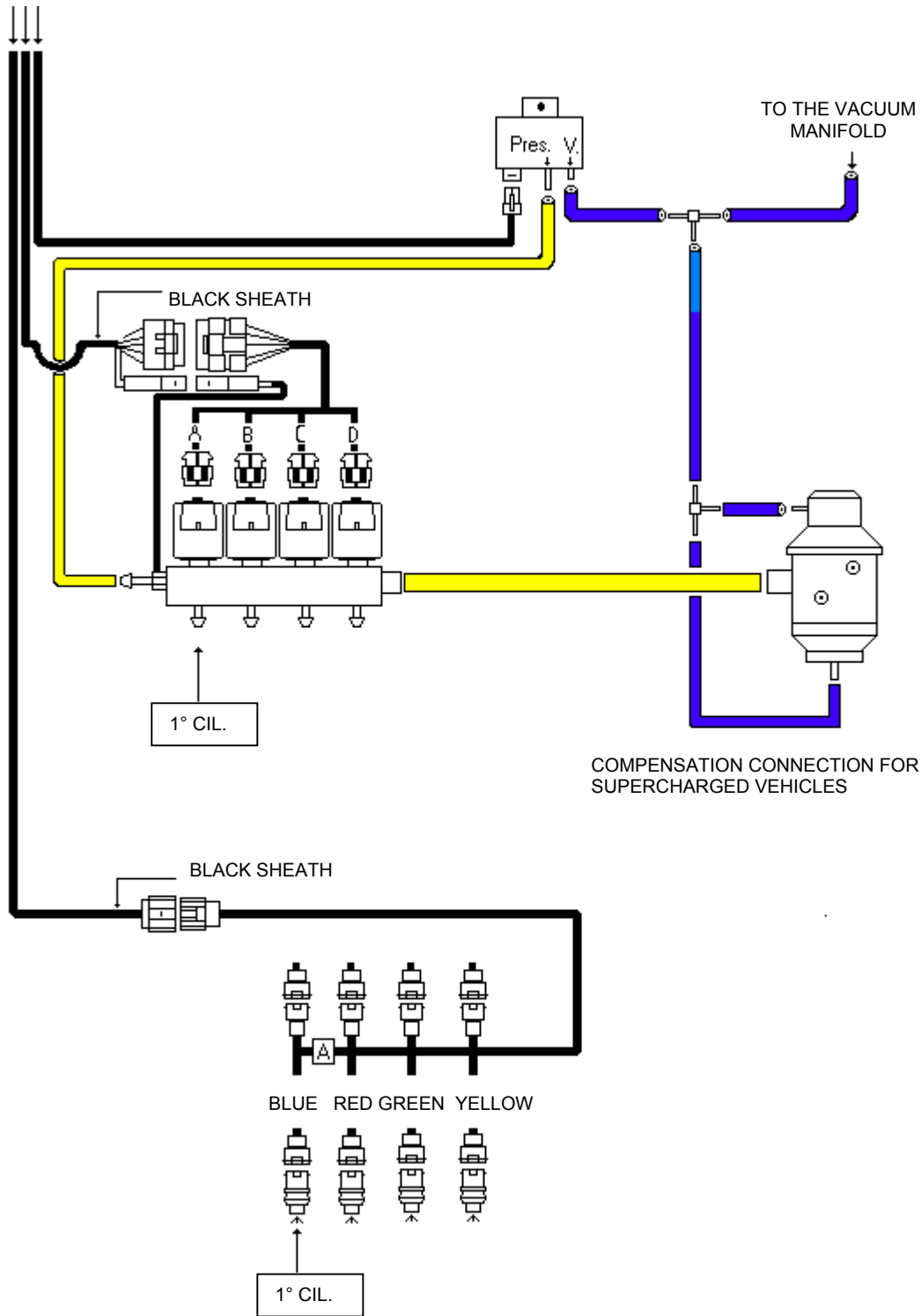
WIRING DIAGRAM FOR 4-CYLINDER VEHICLES LPG

See also the previous page



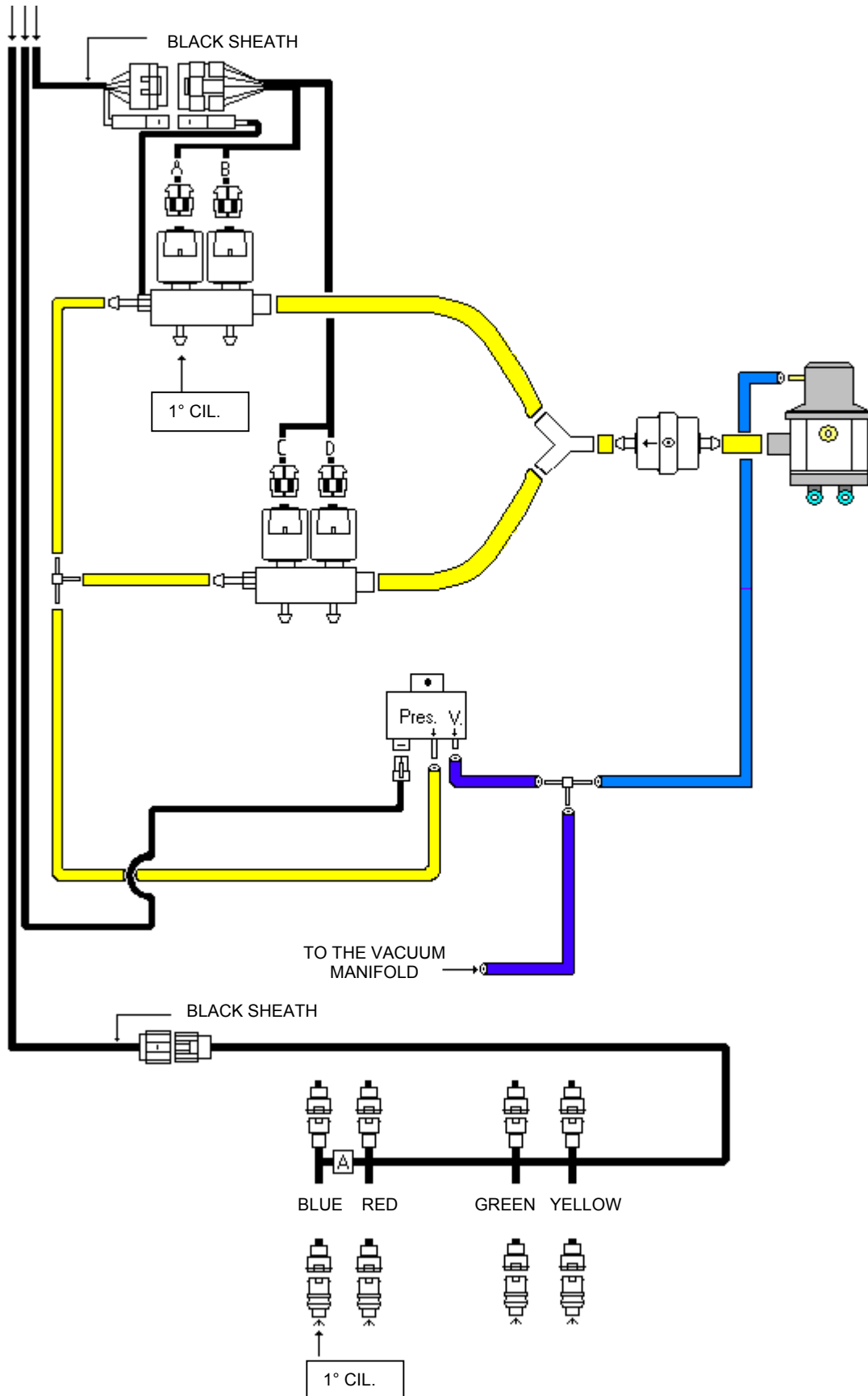
WIRING DIAGRAM FOR 4-CYLINDER VEHICLES CNG

See also the previous page



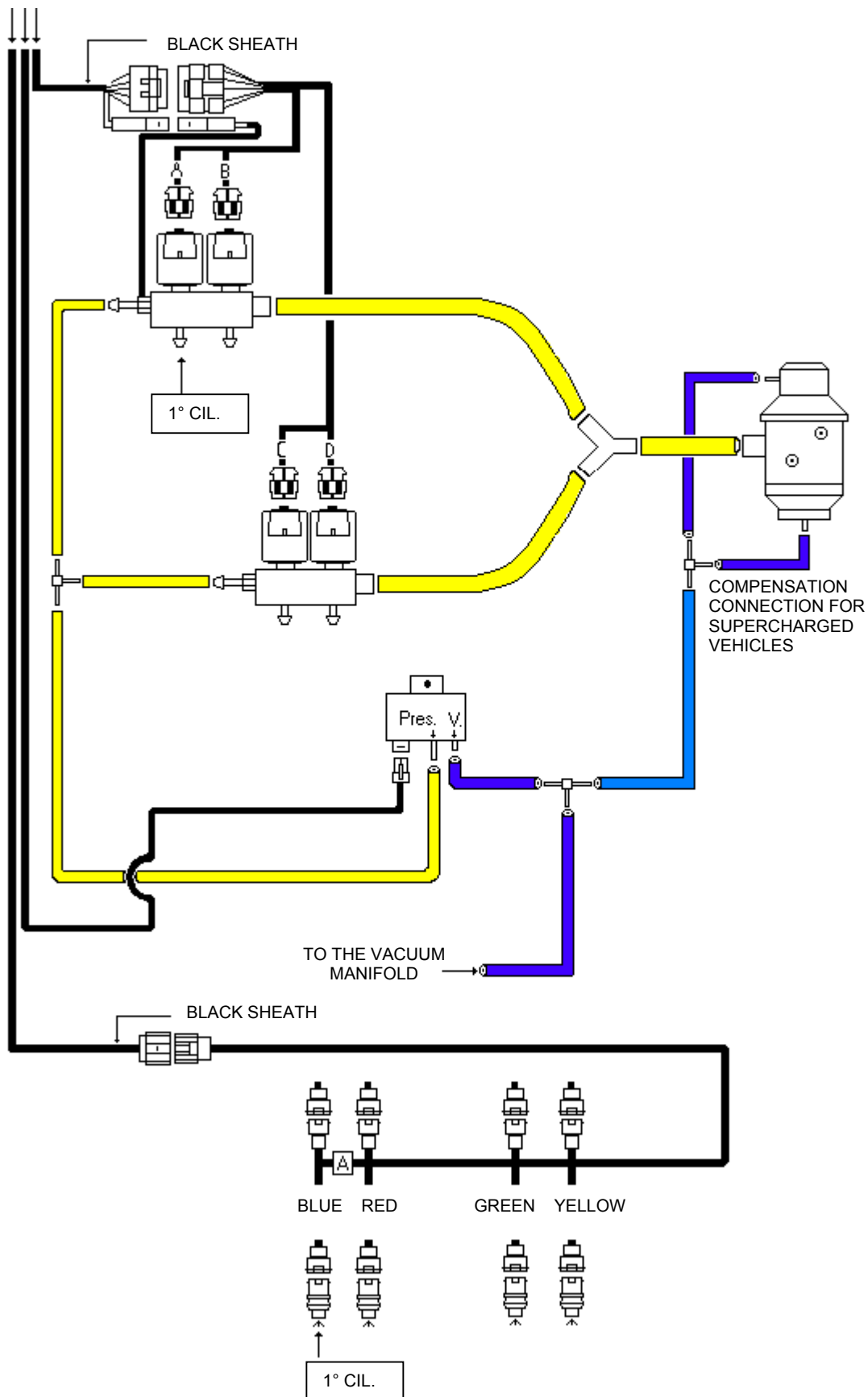
WIRING DIAGRAM FOR 4-CILINDER BOXER VEHICLES LPG

See also
the
previous page

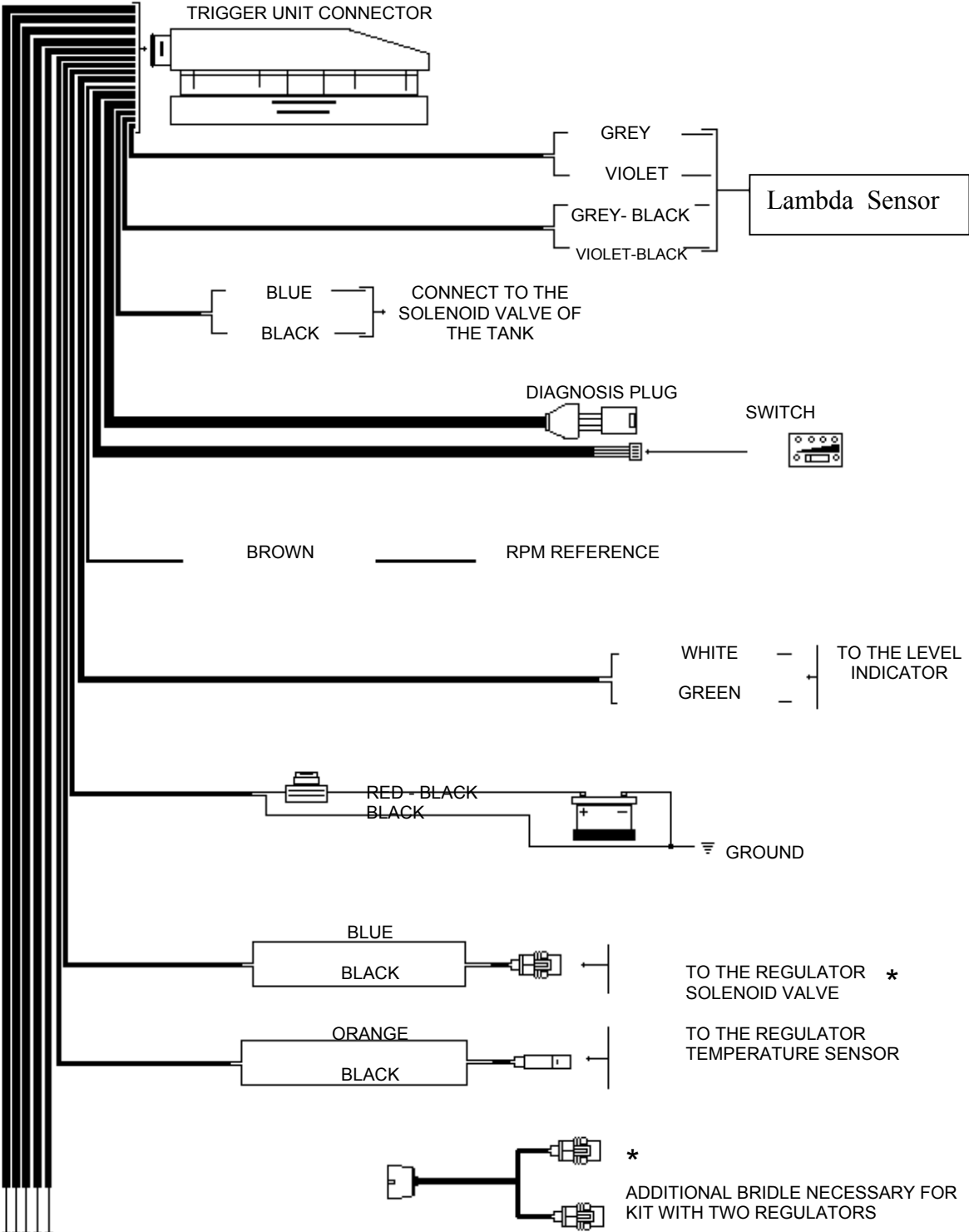


WIRING DIAGRAM FOR 4-CYLINDER BOXER VEHICLES CNG

See also
the
previous page



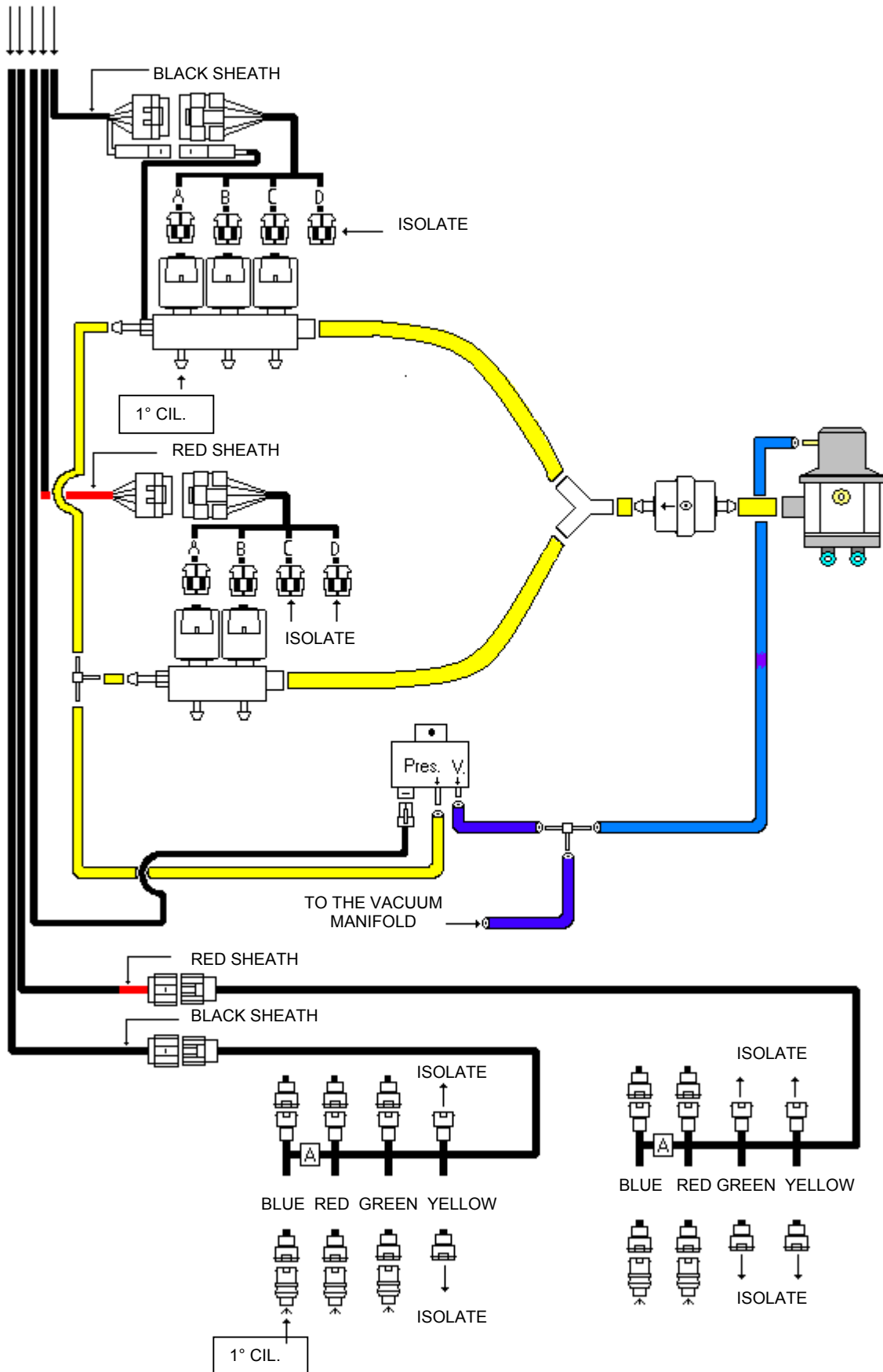
WIRING DIAGRAM FOR 5 - 6 - 8-CYLINDER VEHICLES



SEE NEXT PAGE

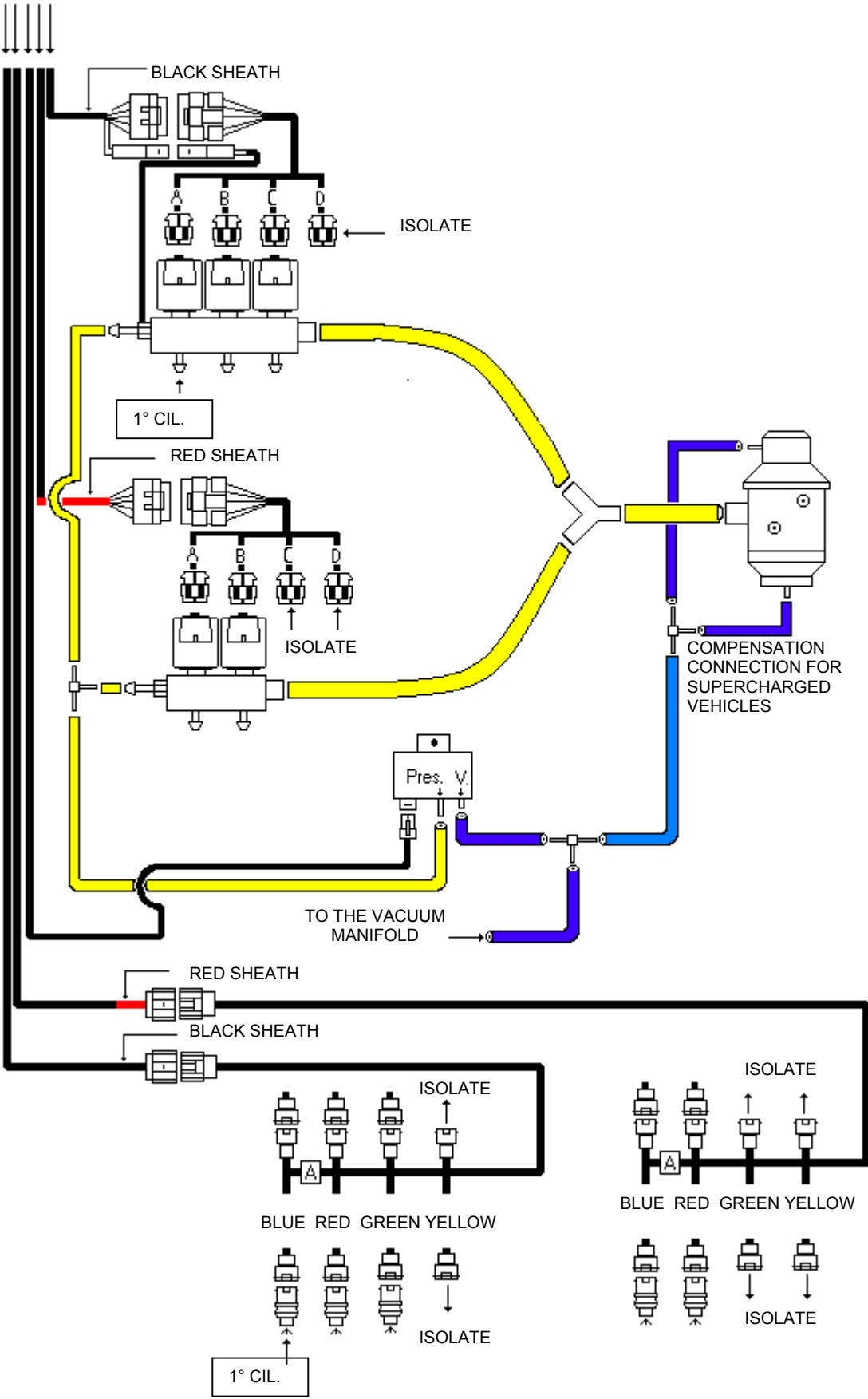
WIRING DIAGRAM FOR 5-CYLINDER VEHICLES 1 REGULATOR LPG

See also
the
previous page



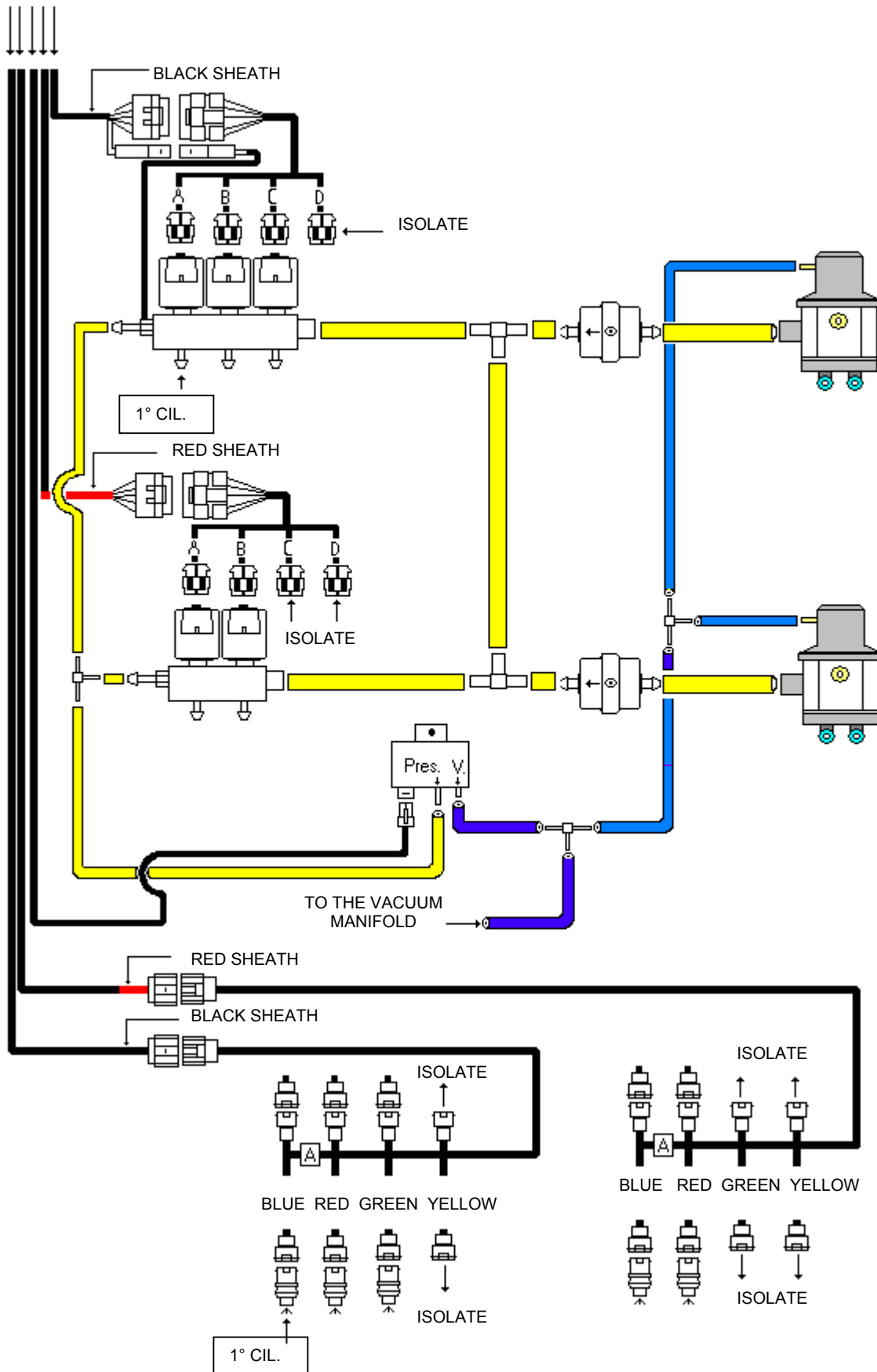
WIRING DIAGRAM FOR 5-CYLINDER VEHICLES 1 REGULATOR CNG

See also the previous page



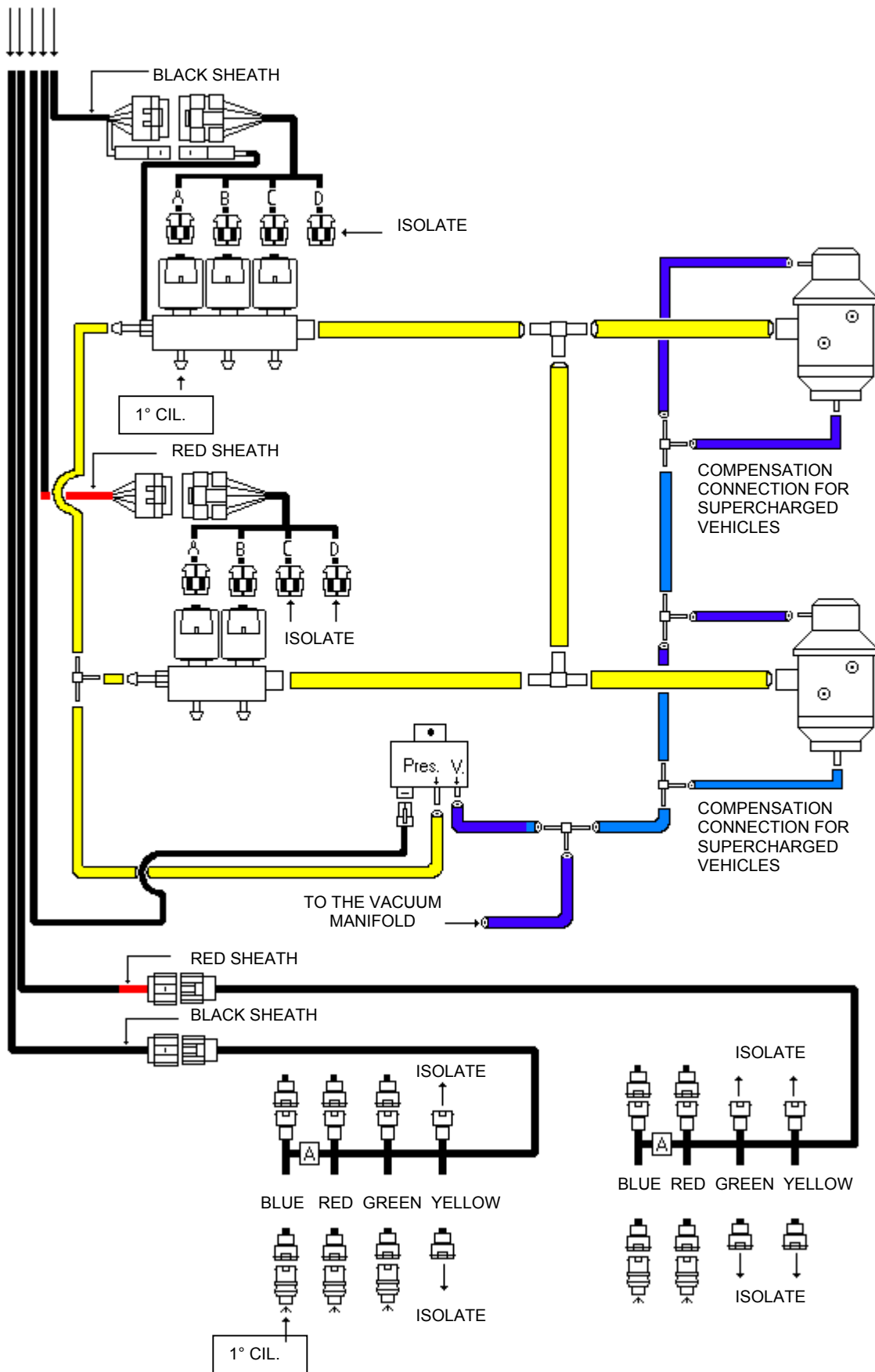
WIRING DIAGRAM FOR 5-CYLINDER VEHICLES 2 REGULATORS LPG

See also the previous page



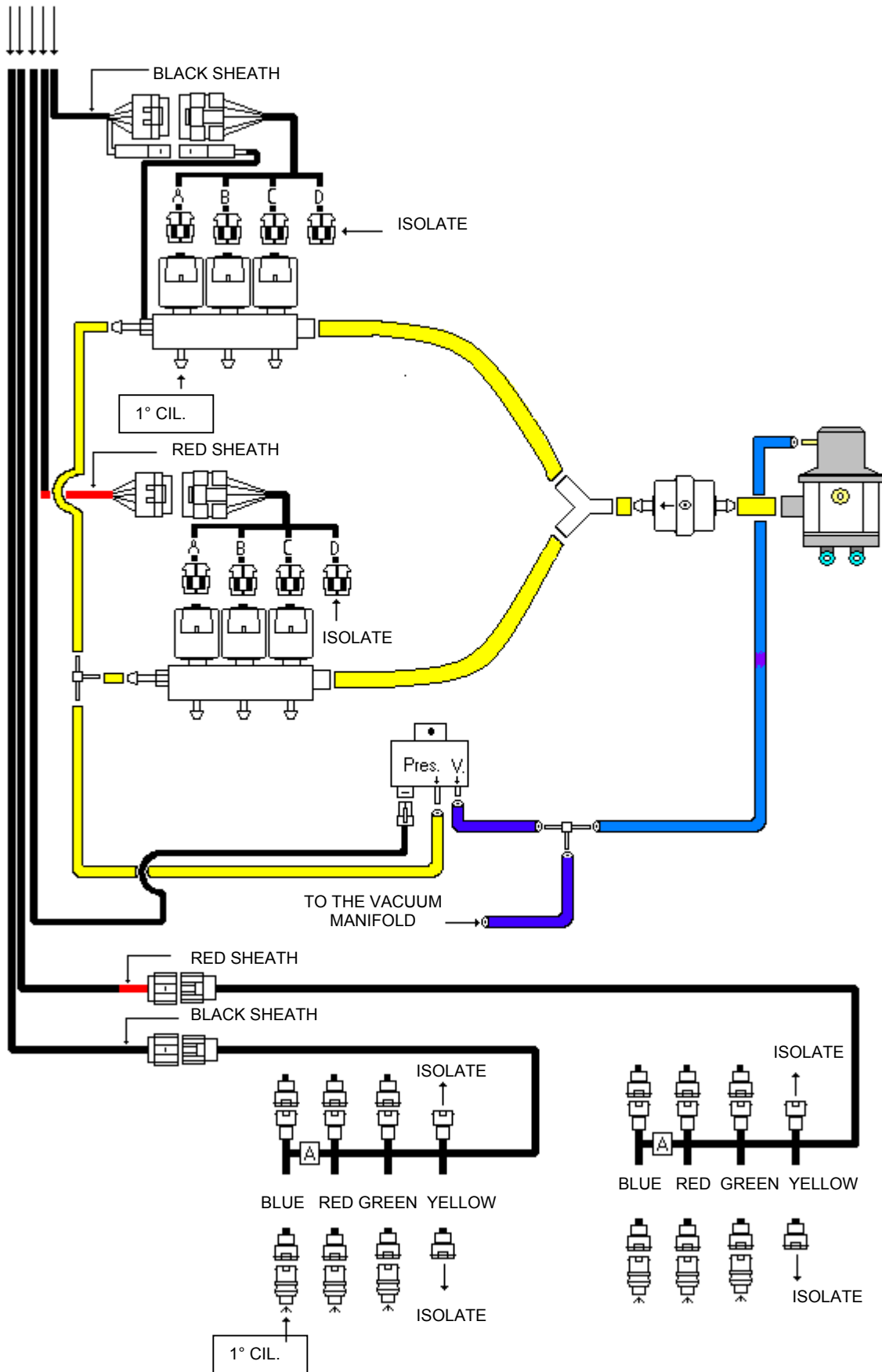
WIRING DIAGRAM FOR 5-CYLINDERS VEHICLES 2 REGULATORS CNG

See also the previous page



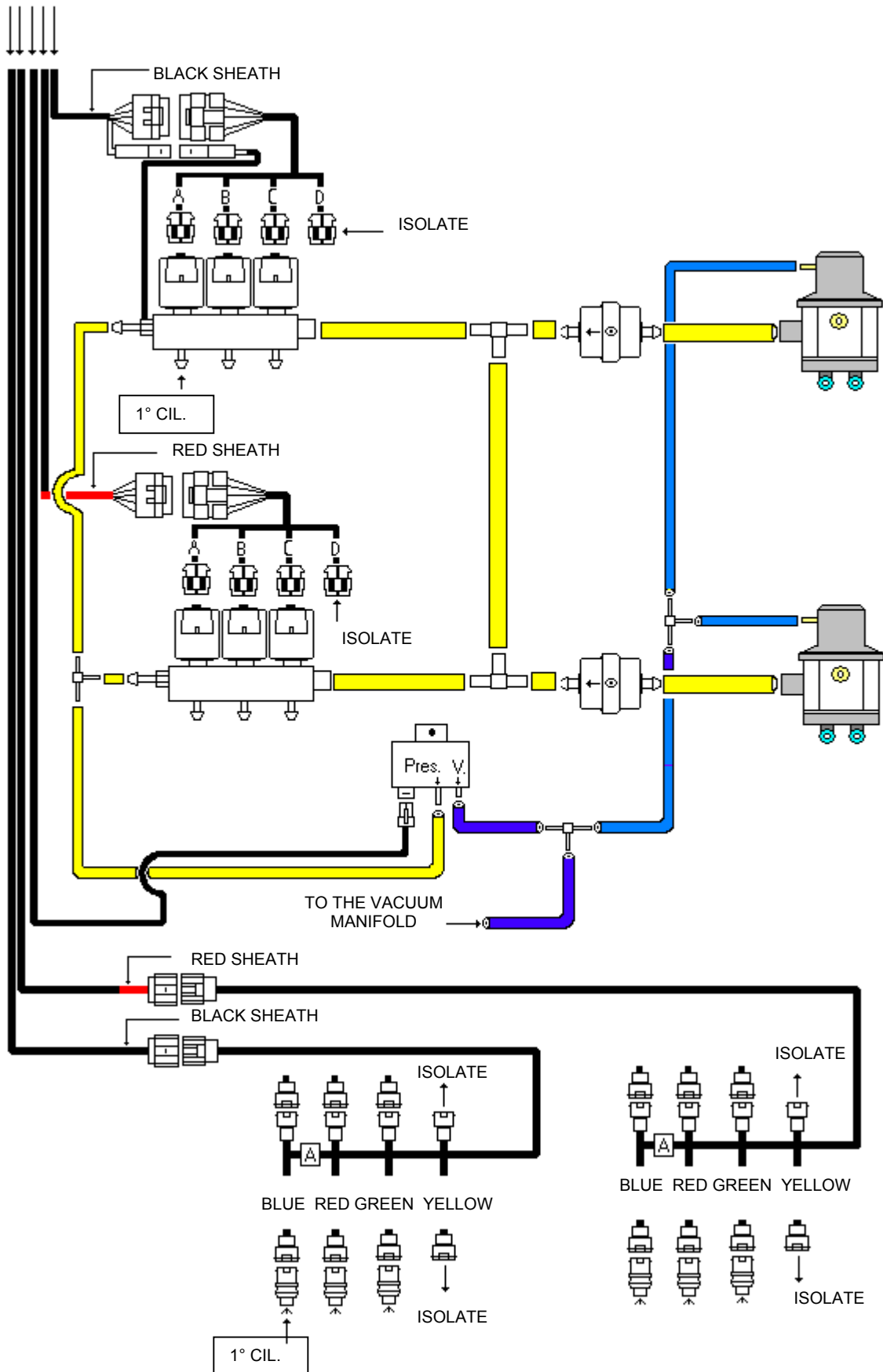
WIRING DIAGRAM FOR 6-CYLINDER IN LINE AND "V" SHAPE VEHICLES- 1 REGULATOR LPG

See also the previous page



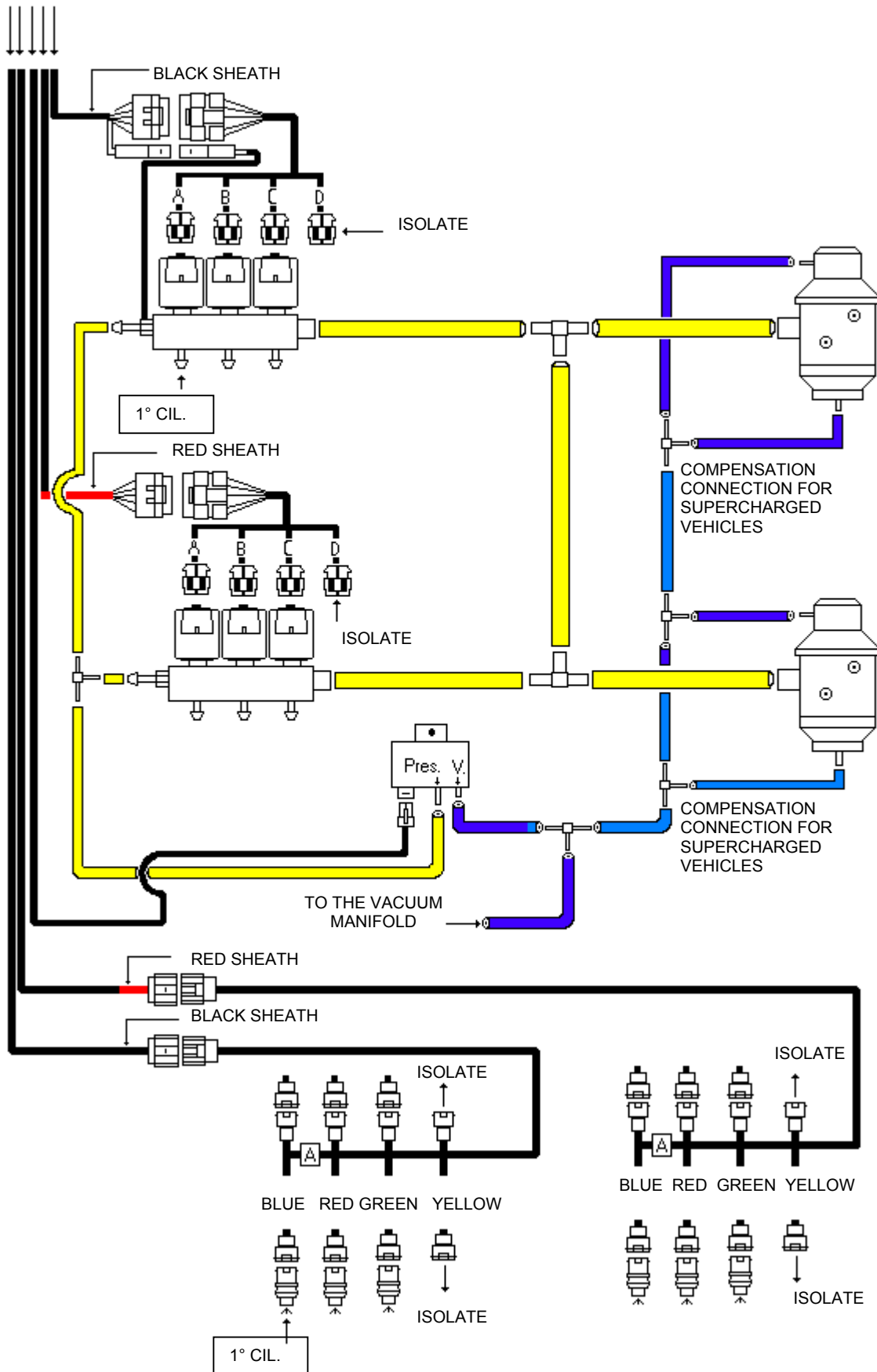
WIRING DIAGRAM FOR 6-CYLINDER IN LINE AND "V" SHAPE VEHICLES- 2 REGULATORS LPG

See also the previous page



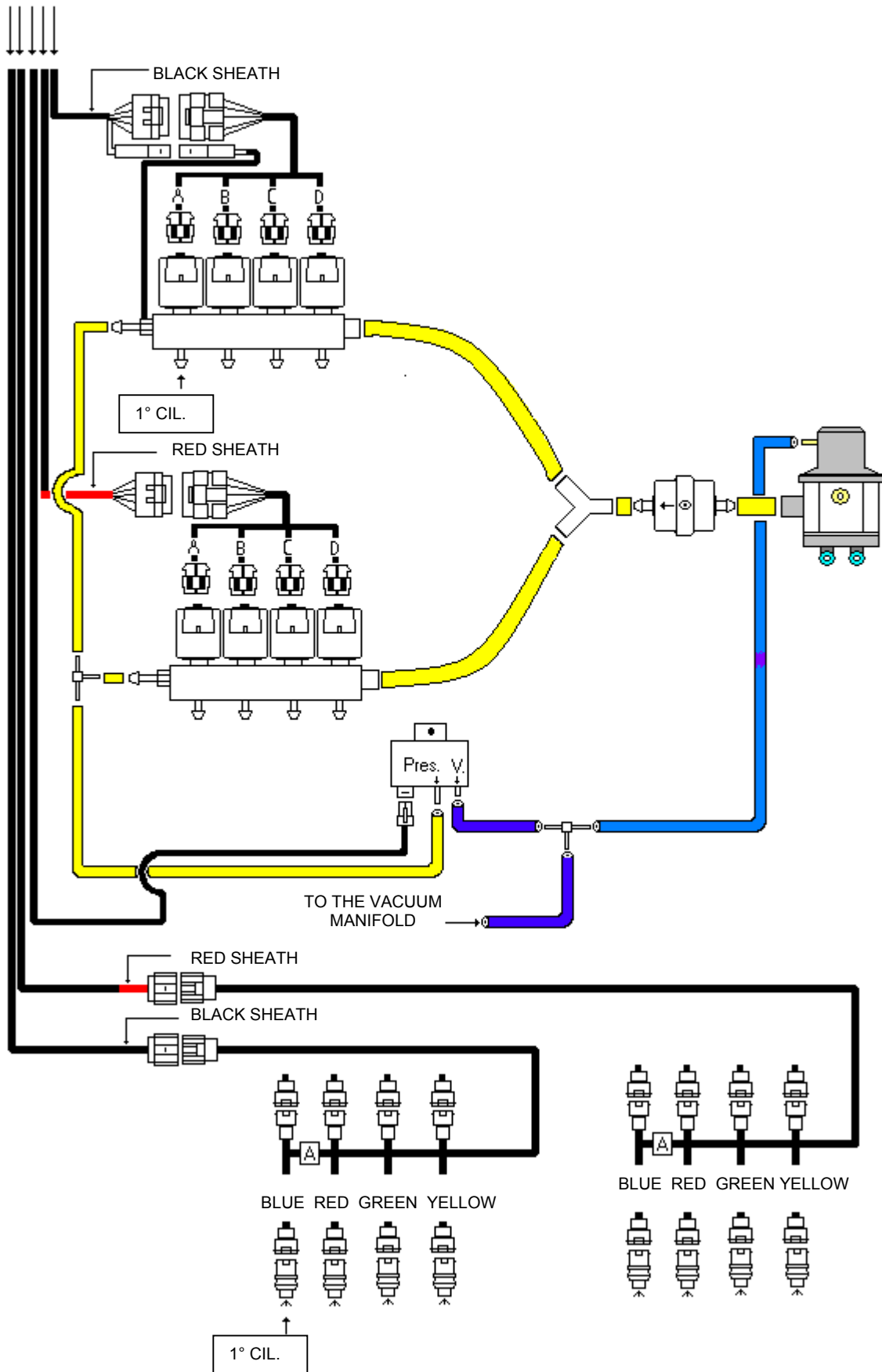
WIRING DIAGRAM FOR 6-CYLINDER IN LINE AND "V" SHAPE VEHICLES - 2 REGULATORS CNG

See also the previous page



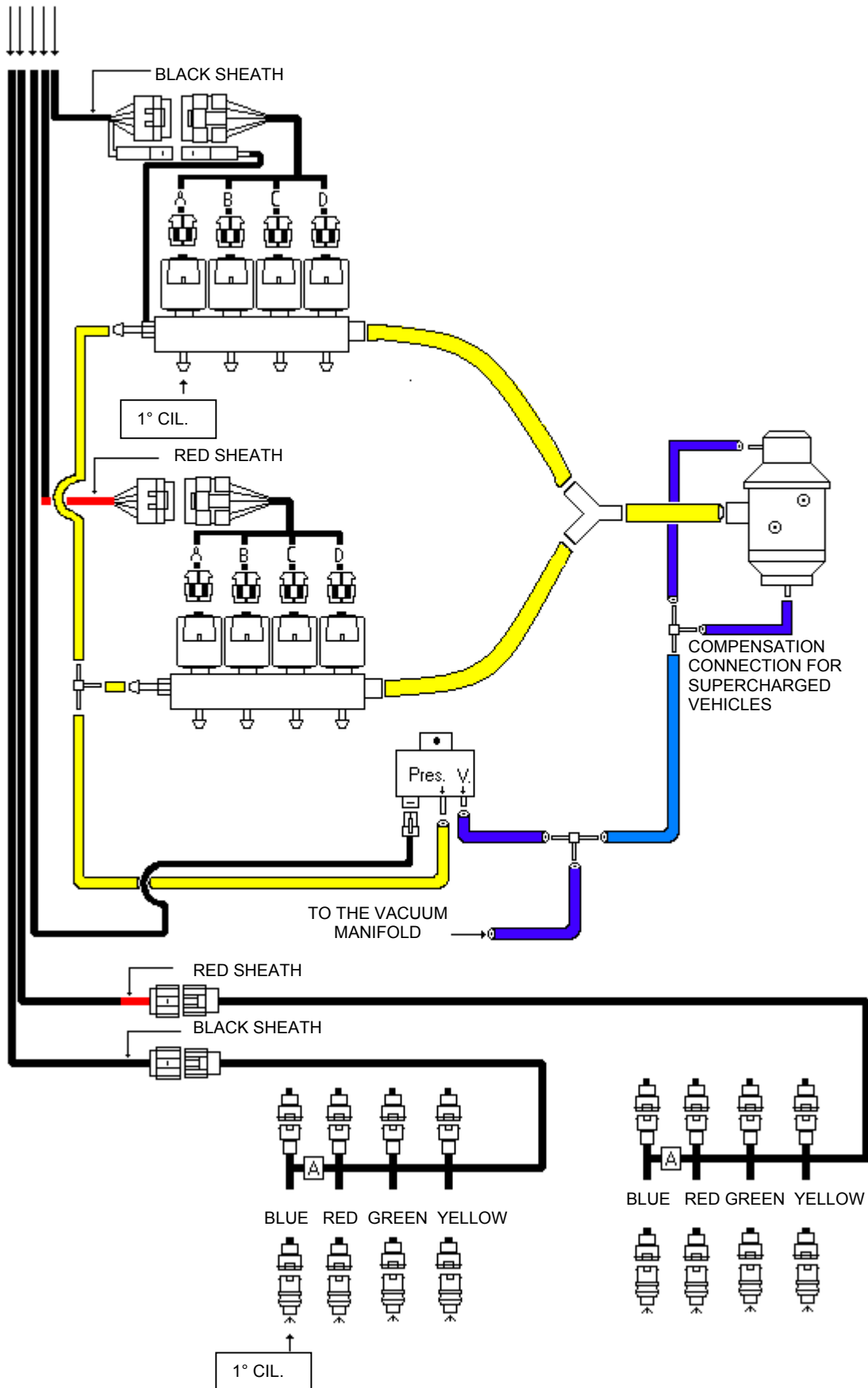
WIRING DIAGRAM FOR 8-CYLINDER "V" SHAPE VEHICLES - 1 REGULATOR LPG

See also the previous page



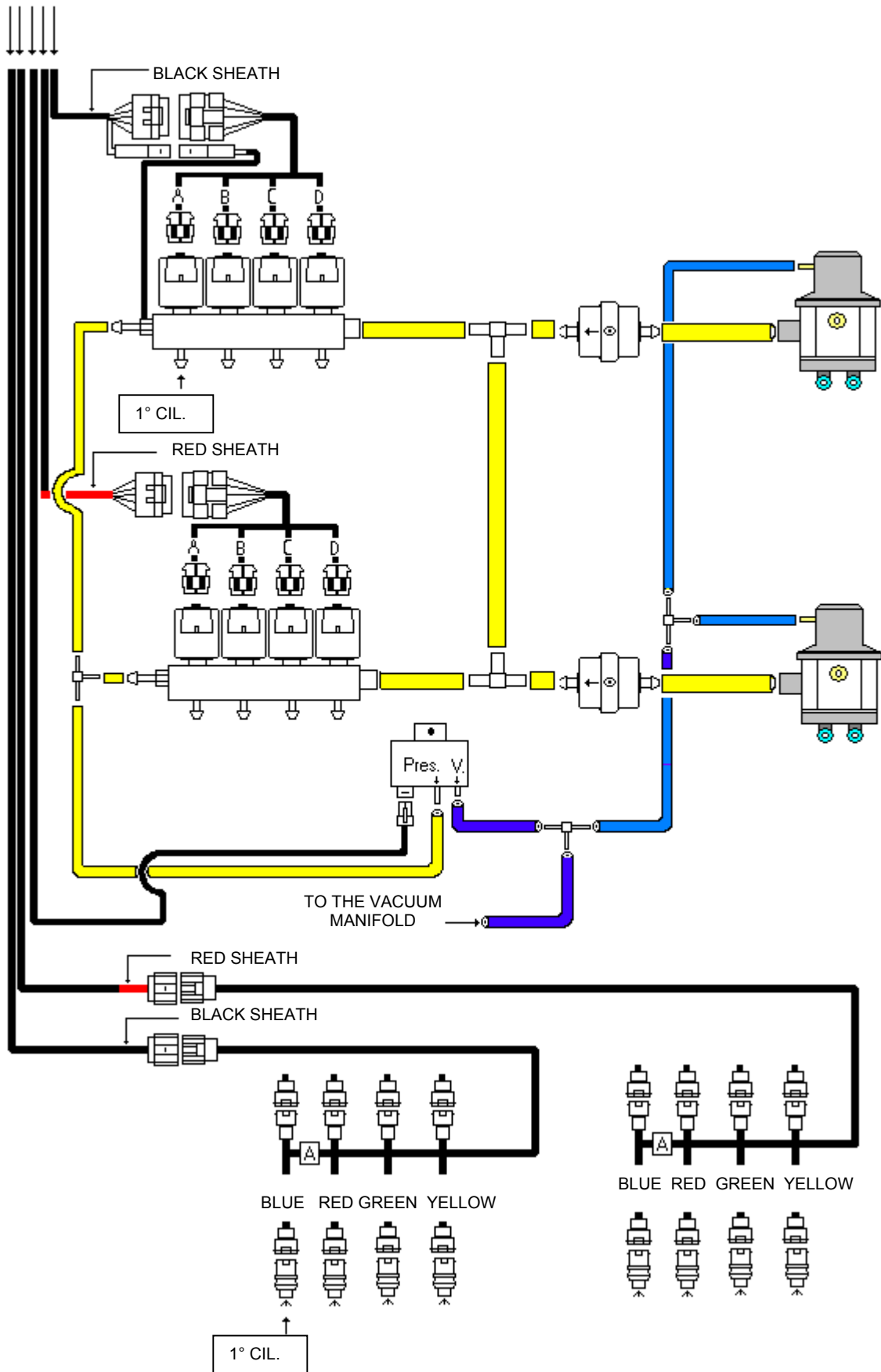
WIRING DIAGRAM FOR 8-CYLINDER "V" SHAPE VEHICLES - 1 REGULATOR CNG

See also
the previous
page



WIRING DIAGRAM FOR 8-CYLINDER "V" SHAPE VEHICLES - 2 REGULATORS LPG

See also
the previous
page



WIRING DIAGRAM FOR 8-CYLINDER "V" SHAPE VEHICLES - 2 REGULATORS CNG

See also the previous page

