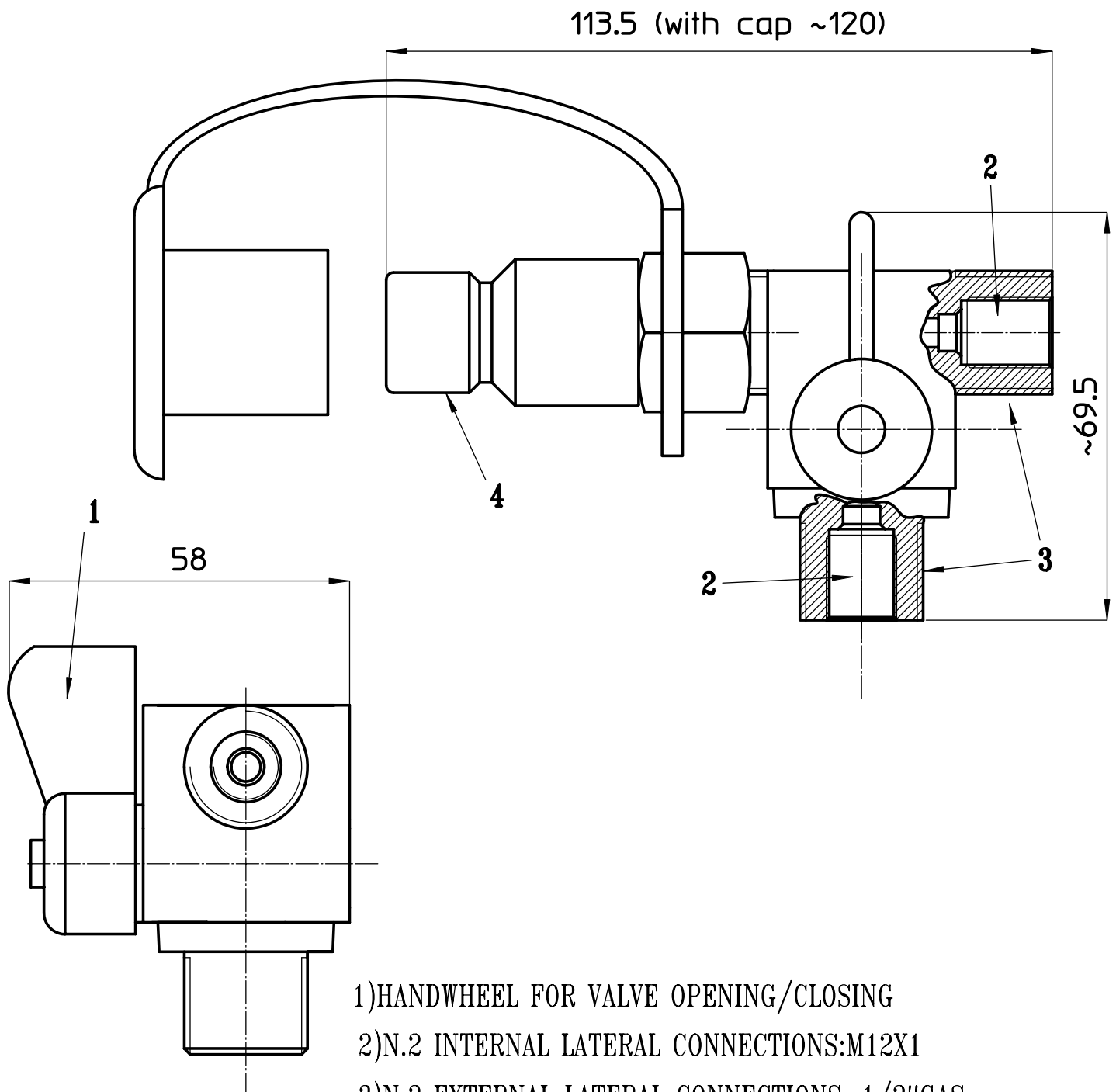


CHARGE SYSTEM FOR CNG(COD. VAL14176):  
RECEPTACLE TYPE NGV1P30(COD. INNR422)AND  
CHARGE VALVE TYPE 198/2B(COD. VAL14003)

TECHNICAL SPECIFICATION



- 1) HANDWHEEL FOR VALVE OPENING/CLOSING
- 2) N.2 INTERNAL LATERAL CONNECTIONS: M12X1
- 3) N.2 EXTERNAL LATERAL CONNECTIONS: 1/2" GAS
- 4) RECEPTACLE TYPE NGV1P30

NOTE: WITH THE RECEPTACLE TYPE NGV1P30(CODE INNR422)  
YOU HAVE TO USE THE SUITABLE NOZZLE.