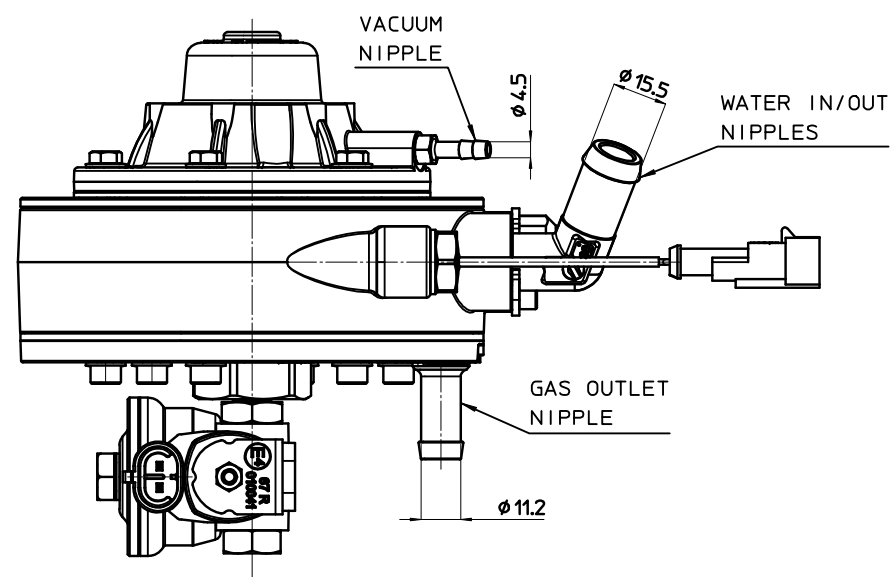
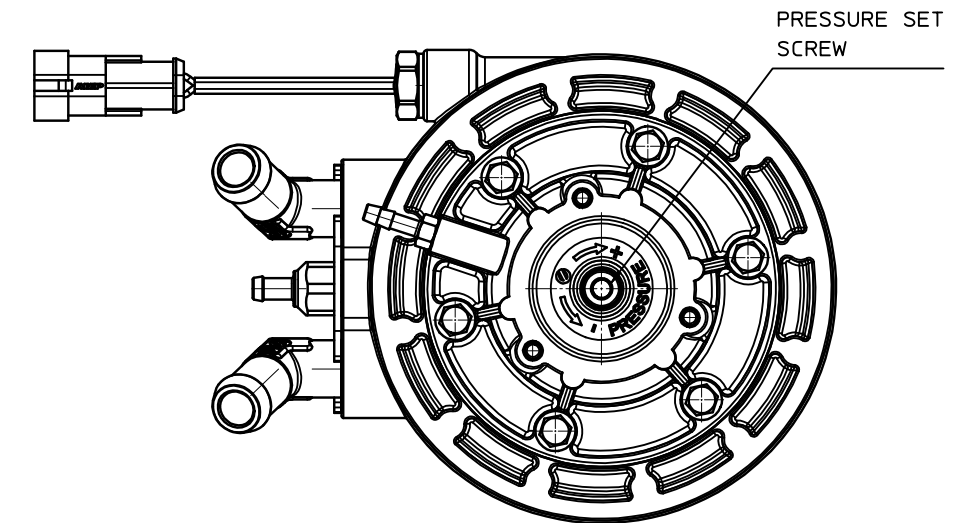
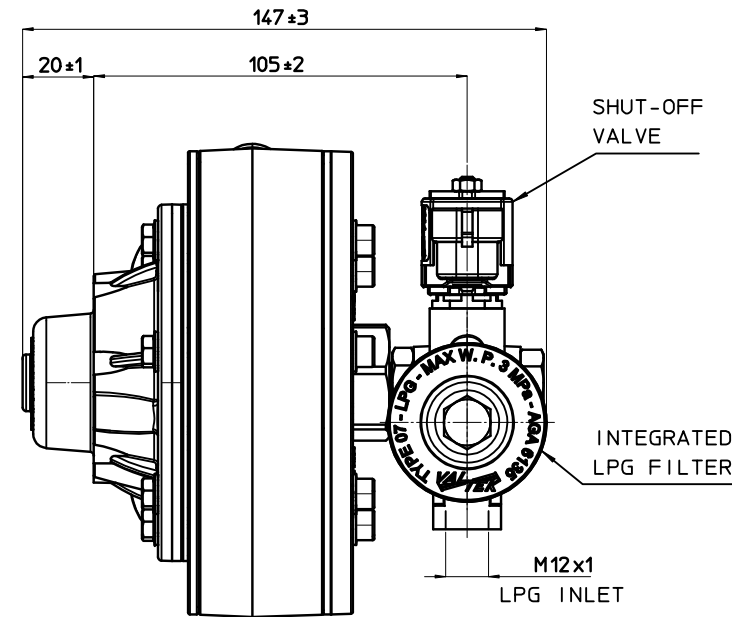
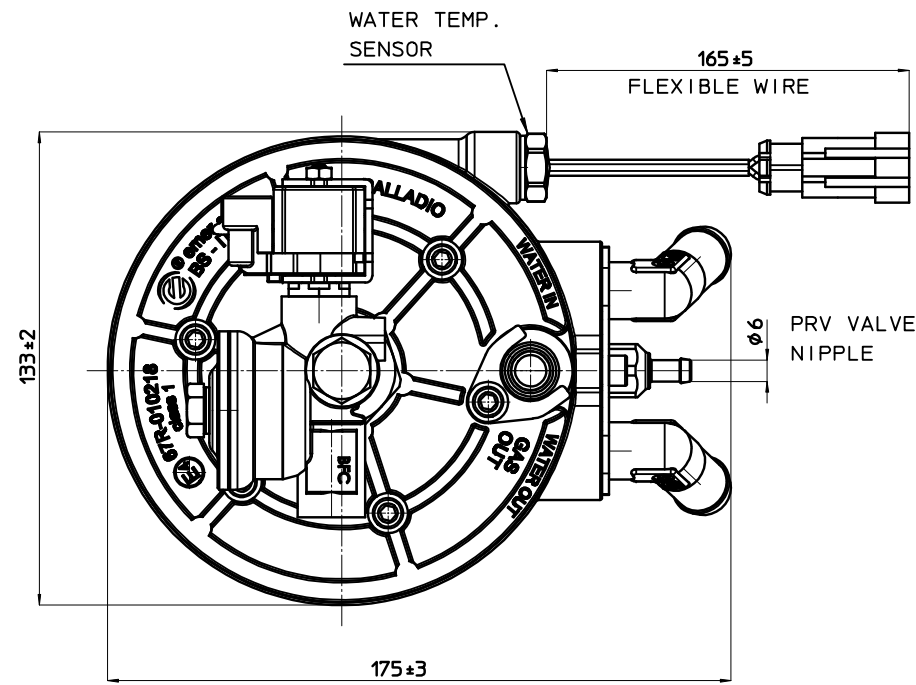


LPGR140 - LPG REDUCER / VAPORIZER TYPE PALLADIO 1.4bar

HOMOLOGATION/APPROVAL ACCORDING TO: ECE R67 NR.010218



CONSTRUCTION	single-stage valve reductor
BODY MATERIAL	die-casted aluminium
WEIGHT	~ 2 kg
MAX WORKING PRESSURE	30 bar
WORKING TEMPERATURE	-20°C / +120°C
OUTLET PRESSURE	1,4 bar standard 1,3÷1,6 bar adjustable
SHUT-OFF VALVE (standard)	12 VDC - 11 W Valve seat min.diameter: 5.0 mm BIG flow Plug: IP67 AMP/DELPHI Superseal 1,5mm Adjustable 360°
LPG FILTER RATING	7 µ
TEMPERATURE SENSOR	NTC 4.7kΩ (R=2500Ω @ 20°C) Plug: IP67 AMP/DELPHI Superseal 1,5mm
PRV OPENING	6 ± 0,5 bar
WATER CAPACITY	150 cc
LPG INLET INTERFACE	M12x1 thread (Ø8x1 pipe)
GAS OUTLET INTERFACE	Ø10 pipe (straight nipple) 120° nipple optional
PRV INTERFACE	Ø6 pipe
MAP INTERFACE	Ø4,5 pipe
WATER IN-OUT INTERFACE	Ø15 pipe (120° nipples) straight nipples optional
FIXING TO VEHICLE FRAME	dedicated fixing-braket kit

DEDICATED FIXING BRAKET

