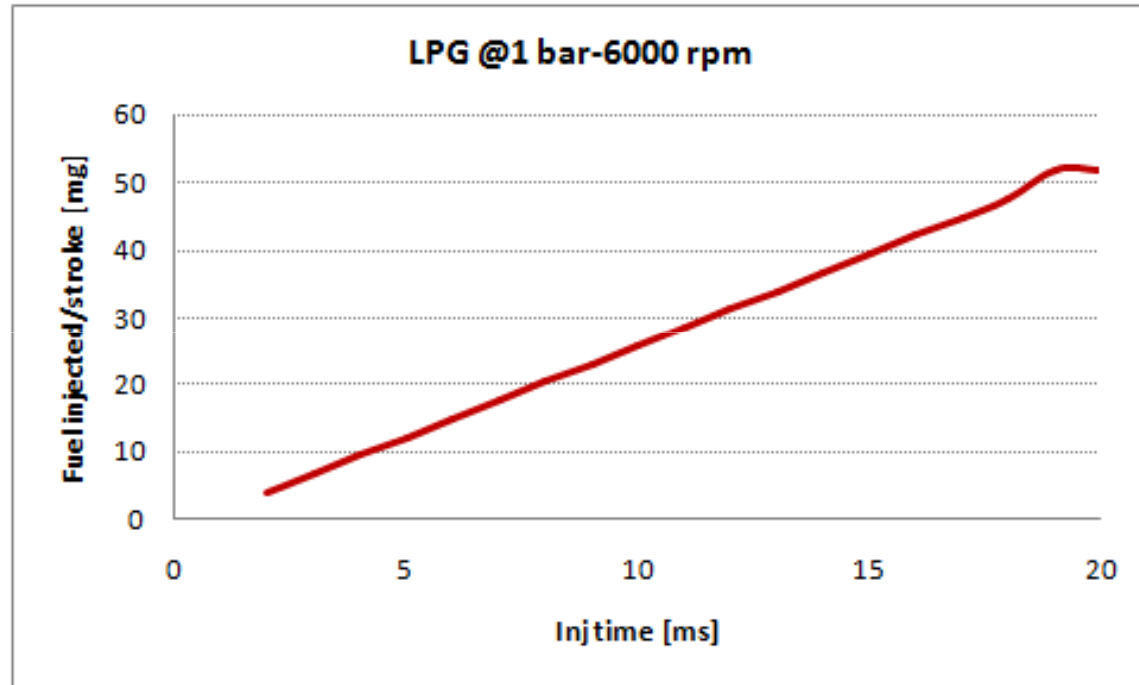


Low Pressure Components



G) Injection Rail

Emer code **34 .LPG.08** (1)



Low Pressure Components



G) Injection Rail

* Injector Cap in black color for OEM Version

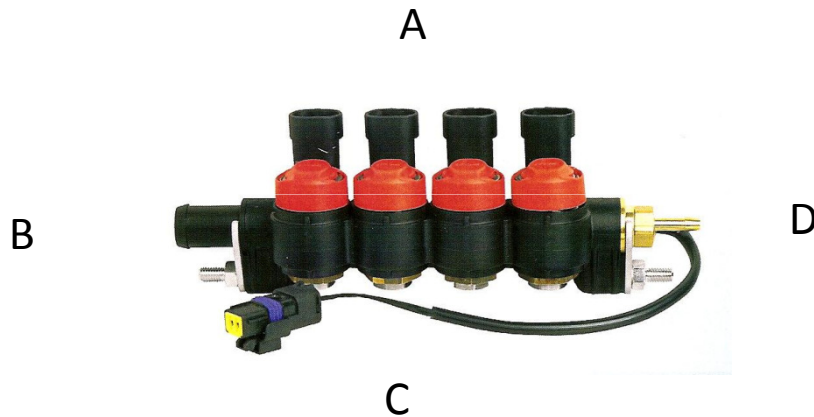


Fuel	LPG/CNG
Homologation	67R01 - 110R00 - ISO15500 (only brass body version)
Injector Type	Normally closed
Inlet	11-14-16 mm pipe
Outlet	4-6 mm pipe
Outlet nozzle size	Ø 1,5 to 2,8mm
Injector Layout	2,3,4 cylinders
Injector rail body	brass or polyarylamide glass reinforced
Temperature sensor	NTC type
Fuel feeding	side feed
Working temperature	-40°C÷120°C
Maximum service pressure	4,5 bar
Maximum working pressure	6,2 bar@13,5V
Static flow	2,6 g/s@1bar LPG
	3,25 g/s @1,5bar LPG
	2,4 g/s @2bar CNG
Opening time	1,7÷1,8 ms @1bar-13,5V
	2,0÷2,1 ms @2bar-13,5V
Closing time	0,9÷1,0 ms @1bar-13,5V
	0,9÷1,0 ms @2bar-13,5V
Linearity	±3%
Repeteability	±3%
Electrical connection	AMP DELPHI superseal
Coil resistance	2,5±0,1Ω @20°C
Working Voltage	6÷16V
Current control	Peak and hold
Durability test	150million cycles
Dimensions (single injector)	60X40X25 mm
Weight (single injector)	81 g

Low Pressure Components

G) Injection Rail

Noise Level

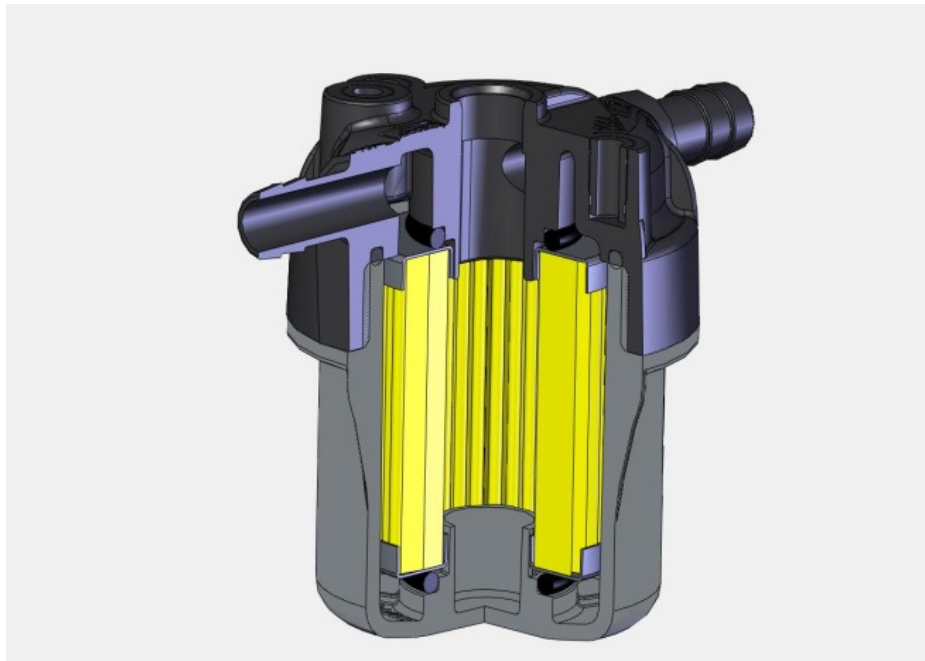


- Acoustic pressure SIDE A: 75,0 Dba
- Acoustic pressure SIDE B: 75,5 Dba
- Acoustic pressure SIDE C: 79,5 Dba
- Acoustic pressure SIDE D: 74,1 Dba

Low Pressure Components



H) Low Pressure Filter





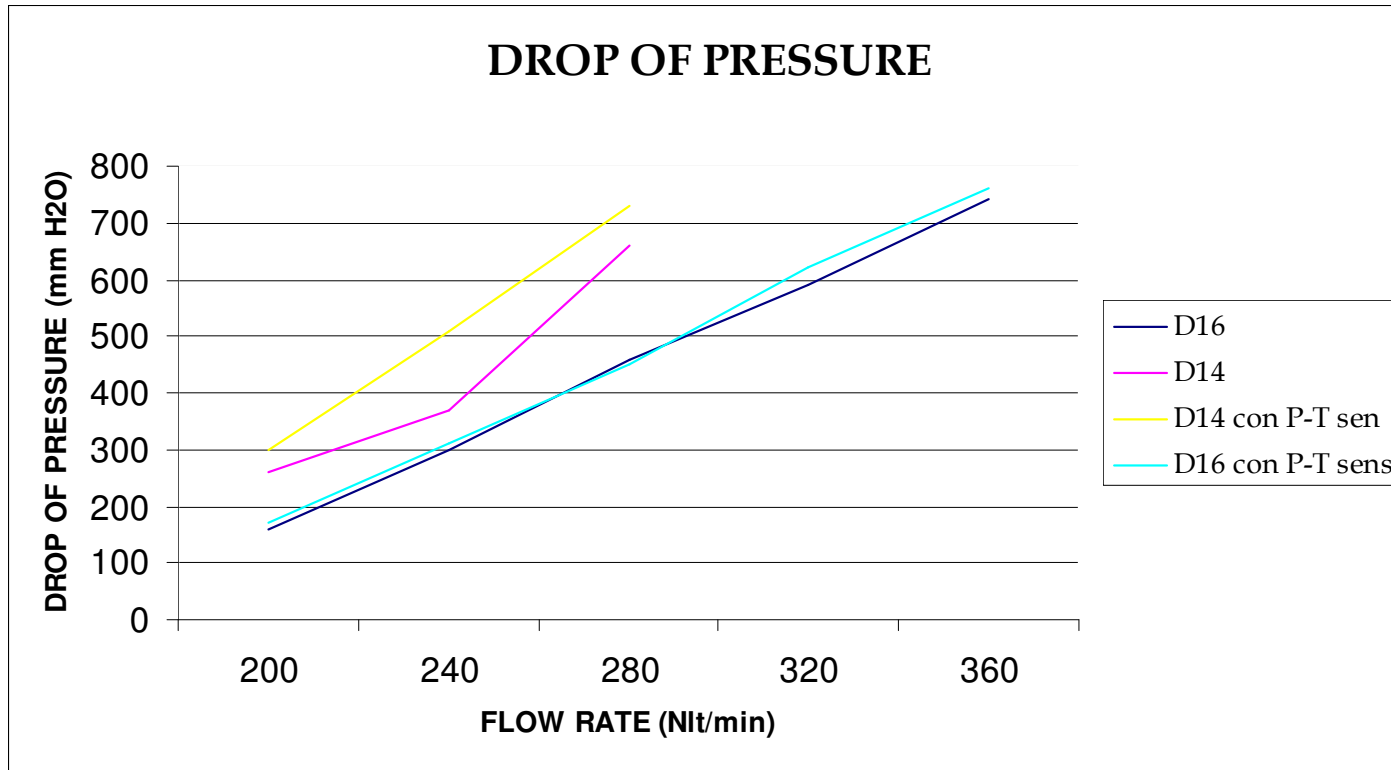
Low Pressure Components



H) Low Pressure Filter

Emer code [97.PPM.01](#)

(1)



Written by : Eng. Alessandro Schiavon
Approved by : Eng. Michele Crivellari
Date : 05/08/2009
Customer Ref : 34300-74/421

Low Pressure Components



H) Low Pressure Filter

Mechanical specifications

- Body filter material: PA 66
- Overall dimensions with sensor: 110x110 mm
- Weight of the filter with sensor: 0.2 Kg
- Burst pressure : > 10 bar

Working conditions

- Max working temperature : +120°
- Min working temperature: -40°
- Working fluid : LPG and CNG
- Max working pressure: 4.5 bar

Versions and accessories

- IN/OUT rubber hose connection: $\varnothing 11$, $\varnothing 14$ e $\varnothing 16$ mm
- Pressure and temperature sensor
- Fixing Brackets



Low Pressure Components



H) Low Pressure Filter

Specifications filtering element

- Nominal filtering capacity : 1÷2 micron
- MFPS: 4 micron
- Weight (g/m²): 75
- Efficiency @ 0.3 μ 5.32 cm/s : %99.9 con particolato \geq 3 μ
- Drop of pressure: @ 0.3 μ 5.32 m/s: 32.5mmH₂O,319 Pa
- Permeability FRAZIER: min. 4 cfm
- Burst Resistance : 1 KPa*m²/g
- Water repellancy : 400 mm
- Oil repellancy : min. 25 Dynes/cm



Approvals

- ECE/ONU R67-01
- ECE/ONU 110