

www.emer.it

Emer S.p.A.
Via Giovanni Bormioli 19
25135 – Brescia
Italy
Tel +39 030 2510391
Fax +39 030 2510392
commercial@emer.it



MULTIVALVOLE e Prese
DI carica GPL

LPG MULTI-VALVES and
FILLING VALVES



MTV500 MTV600

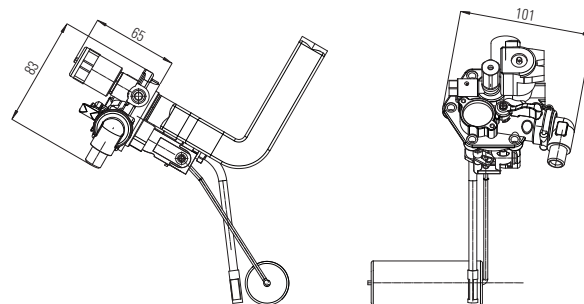
Multivalvola GPL
LPG Multi-valve

GPL
LPG



Caratteristiche tecniche / Technical specifications

| | |
|---|-----------------|
| Materiale / Material | Ottone / Brass |
| Temperatura di esercizio Working temperature | -40° C +85° C |
| Massima pressione di esercizio Max. working pressure | 27 / 22 bar |
| Sezione minima di passaggio del gas Minimum gas flowing area | Ø 3 mm, Ø 5 mm |
| Pastiglia fusibile PRD temperature triggered | 120±10° C |
| VSP valvola di sovrappressione Overpressure valve | 27±1 / 22±1 bar |
| Omologazione / Approval | E67-01 |



VERSIONE / TYPE 5: Standard 6: Maggiorata / Oversized

CONFIGURAZIONE / LAYOUT

| XY: | Tipo di serbatoio Tank type | Connessione per tubo Connection for pipe | E67-01 DX/RH | E67-01 SX/LH | E67-01 22bar DX/RH | E67-01 22bar SX/LH | E67-01 22bar DX/RH Vapor Withdrawal | E67-01 22bar SX/LH Vapor Withdrawal |
|-----|--------------------------------|---|-----------------|-----------------|-----------------------|-----------------------|--|--|
| | Cil. 30°/90° | Ø 8 | 12 | 26 | 16 | 38 | 32 | 43 |
| | Cil. 0°/Tor. 0°/25° IMZ | Ø 8 | 13 | | 17 | | 33 | |
| | Tor. 30°int/37°int | Ø 8 | 14 | 27 | 18 | 39 | 34 | 44 |
| | Cil. 30°/90° | Ø 10 | 22 | 28 | 19 | 40 | 35 | 45 |
| | Cil. 0°/Tor. 0°/25° IMZ | Ø 10 | 23 | | 20 | | 36 | |
| | Tor. 30°int/37°int | Ø 10 | 24 | 29 | 21 | 41 | 37 | 46 |
| | Cil. 30°/90° | Holland | 47 | 50 | 52 | 55 | 57 | 60 |
| | Cil. 0°/Tor. 0°/25° IMZ | Holland | 48 | | 53 | | 58 | |
| | Tor. 30°int/37°int | Holland | 49 | 51 | 54 | 56 | 59 | 61 |

TIPOLOGIA SERBATOIO / TANK SHAPE C: Cilindrico / Cylindrical T: Toroidale / Toroidal

Ø SERBATOIO CILINDRICO, H SERBATOIO TOROIDALE / Ø CYLINDRICAL TANK, H TOROIDAL TANK XYZ: xyz mm

INCLINAZIONE GHIERA SERBATOIO / INCLINATION 0: 0° 2: 25°(Tor), 20°(Cil) 3: 30° 4: 37° 9: 90°

ACCESSORI / DEVICES

- A: Bobina AMP; cavo 6 m; carica; scatola e contro scatola / Coil AMP; cable 6 m; filling valve; box and counter-box
 B: Bobina AMP; cavo 6 m / Coil AMP; cable 6 m
 C: Bobina AMP; carica; scatola e contro scatola / Coil AMP; filling valve; box and counter-box
 D: Bobina con cavo 140 mm senza cablaggio; carica; scatola e contro scatola / Coil with 140 mm cable, without wiring; filling valve; box and counter-box
 E: Bobina AMP / Coil AMP
 F: Bobina faston; cavo 6 m; carica; tappo; indicatore mecc. / Coil faston; cable 6 m; filling valve; cap; mechanical indicator
 G: Bobina faston; cavo 6 m; carica; scatola e contro scatola / Coil faston; cable 6 m; filling valve; box and counter-box
 H: Bobina faston; cavo 6 m; carica; scatola e contro scatola; indicatore mecc. / Coil faston; cable 6 m; filling valve; box and counter-box; mechanical indicator
 I: Carica; scatola e contro scatola / Filling valve; box and counter-box
 L: Bobina con cavo 110 mm senza cablaggio / Coil with 110 mm cable, without wiring
 M: Bobina faston; carica; tappo; indicatore mecc. / Coil faston; filling valve; cap; mechanical indicator
 N: Bobina con cavo 110 mm senza cablaggio; carica; scatola e contro scatola / Coil with 110 mm cable, without wiring; filling valve; box and counter-box
 Q: Canotto e otturatore senza bobina / Only plunger (without coil)

SPECIFICO SERBATOIO / SPECIFIC TANK G: GZWM

Codifica / Part n°
MTV 5 XY C XYZ 3 A G

Alcune versioni disponibili / Some available part n°

| Serbatoio Tank | Dim. serbatoio Tank dimension | Inclinazione Inclination | Accessori disponibili Available devices | Codice Emer Emer part n° |
|--|--|---|--|-----------------------------|
| Cilindrico / Cylinder | Ø 200 mm Ø 244 mm Ø 270 mm Ø 300 mm Ø 315 mm Ø 360 mm Ø 400 mm Ø 450 mm | 30° 90° 20° (Solo per / Only Ø 400) | A; B; C; E; F; G; M | MTV512C... MTV612C... |
| | Ø 200 mm Ø 204 mm Ø 244 mm Ø 270 mm Ø 300 mm Ø 315 mm Ø 360 mm | 0° | A; B; G | MTV513C... MTV613C... |
| | Ø 200 mm Ø 244 mm Ø 270 mm Ø 300 mm Ø 315 mm Ø 360 mm | 30° 90° 0° (Solo per / Only Ø 200, Ø 315) | A; B; C; D; E; I; Q | MTV516C... MTV616C... |
| | Ø 200 mm Ø 244 mm Ø 315 mm | 0° 30° 90° | A | MTV517C... MTV617C... |
| | Ø 300 mm Ø 315 mm Ø 360 mm Ø 400 mm Ø 450 mm | 30° | A; B | MTV522C... MTV622C... |
| | Ø 450 mm | 30° | A | MTV523C... MTV623C... |
| | Ø 200 mm Ø 270 mm Ø 300 mm Ø 315 mm Ø 360 mm | 30° | A; B | MTV526C... MTV626C... |
| | Ø 200 mm Ø 315 mm | 0° 30° 90° | A; C; D | MTV532C... MTV632C... |
| | Ø 200 mm | 0° 30° | A; L; N; Q | MTV543C... MTV643C... |
| | Ø 270 mm Ø 360 mm | 30° | B | MTV547C... MTV647C... |
| | h 270 mm | 30° | A; G | MTV512T... MTV612T... |
| | h 180 mm h 200 mm h 204 mm h 220 mm h 225 mm h 230 mm h 240 mm h 250 mm h 270 mm h 300 mm | 0° 25° (Solo per / Only h 200, h 220, h 240, h 270) | A; B; E; G; C; F | MTV513T... MTV613T... |
| | h 180 mm h 190 mm h 200 mm h 204 mm h 220 mm h 225 mm h 230 mm h 240 mm h 250 mm h 270 mm h 300 mm Ø 600 mm Ø 630 mm Ø 650 mm Ø 680 mm Ø 720 mm | 0° 30° 37° | A; B; C; E; F; G; M | MTV514T... MTV614T... |
| h 200 mm h 225 mm | 0° | A; D | MTV517T... MTV617T... | |
| h 180 mm h 185 mm h 225 mm | 30° 37° (Solo per / Only Ø 180) | A; C; D | MTV518T... MTV618T... | |
| h 250 mm | 30° | B | MTV522T... MTV622T... | |
| h 200 mm h 225 mm h 240 mm h 250 mm | 30° | B | MTV524T... MTV624T... | |
| h 200 mm | 0° | A | MTV533T... MTV633T... | |
| h 180 mm | 37° | A | MTV541T... MTV641T... | |
| h 220 mm h 240 mm h 270 mm | 0° | A; B | MTV548T... MTV648T... | |

MTV700 MTV800

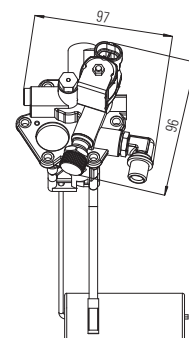
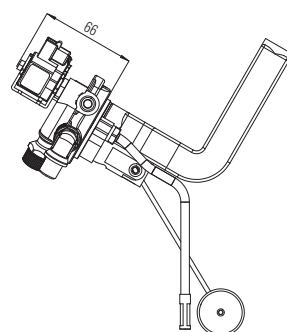
Multivalvola GPL
LPG Multi-valve

GPL
LP
LPG



Caratteristiche tecniche / Technical specifications

| | |
|--|-----------------|
| Materiale / Material | Ottone / Brass |
| Temperatura di esercizio / Working temperature | -40° C +85° C |
| Massima pressione di esercizio / Max. working pressure | 27 / 22 bar |
| Sezione minima di passaggio del gas / Minimum gas flowing area | Ø 3 mm, Ø 5 mm |
| Pastiglia fusibile / PRD temperature triggered | 120±10° C |
| VSP valvola di sovrappressione / Overpressure valve | 27±1 / 22±1 bar |
| Omologazione / Approval | E67-01 |



Codifica / Part n°

MTV 7 XY C XYZ 3 A G

VERSIONE / TYPE 7: Standard 8: Maggiorata / Oversized

CONFIGURAZIONE / LAYOUT

| XY: | Tipo di serbatoio / Tank type | Connessione per tubo / Connection for pipe | E67-01 DX/RH | E67-01 SX/LH | E67-01 22bar DX/RH | E67-01 22bar SX/LH | E67-01 22bar DX/RH Vapor Withdrawal | E67-01 22bar SX/LH Vapor Withdrawal |
|-----|-------------------------------|--|--------------|--------------|--------------------|--------------------|-------------------------------------|-------------------------------------|
| | Cil. 30°/90° | Ø 8 | 12 | 26 | 16 | 38 | 32 | 43 |
| | Cil. 0°/Tor. 0°/25° IMZ | Ø 8 | 13 | | 17 | | 33 | |
| | Tor. 30°int/37°int | Ø 8 | 14 | 27 | 18 | 39 | 34 | 44 |
| | Cil. 30°/90° | Ø 10 | 22 | 28 | 19 | 40 | 35 | 45 |
| | Cil. 0°/Tor. 0°/25° IMZ | Ø 10 | 23 | | 20 | | 36 | |
| | Tor. 30°int/37°int | Ø 10 | 24 | 29 | 21 | 41 | 37 | 46 |
| | Cil. 30°/90° | Holland | 47 | 50 | 52 | 55 | 57 | 60 |
| | Cil. 0°/Tor. 0°/25° IMZ | Holland | 48 | | 53 | | 58 | |
| | Tor. 30°int/37°int | Holland | 49 | 51 | 54 | 56 | 59 | 61 |

TIPOLOGIA SERBATOIO / TANK SHAPE C: Cilindrico / Cylindrical T: Toroidale / Toroidal

Ø SERBATOIO CILINDRICO, H SERBATOIO TOROIDALE / Ø CYLINDRICAL TANK, H TOROIDAL TANK XYZ: xyz mm

INCLINAZIONE GHIERA SERBATOIO / INCLINATION 0: 0° 2: 25°(Tor), 20°(Cil) 3: 30° 4: 37° 9: 90°

ACCESSORI / DEVICES

- A: Bobina AMP; cavo 6 m; carica; scatola e contro scatola / Coil AMP; cable 6 m; filling valve; box and counter-box
 B: Bobina AMP; cavo 6 m / Coil AMP; cable 6 m
 C: Bobina AMP; carica; scatola e contro scatola / Coil AMP; filling valve; box and counter-box
 D: Bobina con cavo 140 mm senza cablaggio; carica; scatola e contro scatola / Coil with 140mm cable, without wiring; filling valve; box and counter-box
 E: Bobina AMP / Coil AMP
 F: Bobina faston; cavo 6 m; carica; tappo; indicatore mecc. / Coil faston; cable 6 m; filling valve; cap; mechanical indicator
 G: Bobina faston; cavo 6 m; carica; scatola e contro scatola / Coil faston; cable 6 m; filling valve; box and counter-box
 H: Bobina faston; cavo 6 m; carica; scatola e contro scatola; indicatore mecc. / Coil faston; cable 6 m; filling valve; box and counter-box; mechanical indicator
 I: Carica; scatola e contro scatola / Filling valve; box and counter-box
 L: Bobina con cavo 110 mm senza cablaggio / Coil with 110 mm cable, without wiring
 M: Bobina faston; carica; tappo; indicatore mecc. / Coil faston; filling valve; cap; mechanical indicator
 N: Bobina con cavo 110 mm senza cablaggio; carica; scatola e contro scatola / Coil with 110 mm cable, without wiring; filling valve; box and counter-box
 Q: Canotto e otturatore senza bobina / Only plunger (without coil)

SPECIFICO SERBATOIO / SPECIFIC TANK G: GZWM

Alcune versioni disponibili / Some available part n°

| Serbatoio Tank | Dim. serbatoio Tank dimension | Inclinazione Inclination | Accessori disponibili Available devices | Codice Emer Emer part n° |
|--|--|---|--|-----------------------------|
| Cilindrico / Cylinder | Ø 200 mm Ø 244 mm Ø 270 mm Ø 300 mm Ø 315 mm Ø 360 mm Ø 400 mm Ø 450 mm | 30° 90° 20° (Solo per / Only Ø 400) | A; B; C; E; F; G; M | MTV712C... MTV812C... |
| | Ø 200 mm Ø 204 mm Ø 244 mm Ø 270 mm Ø 300 mm Ø 315 mm Ø 360 mm | 0° | A; B; G | MTV713C... MTV813C... |
| | Ø 200 mm Ø 244 mm Ø 270 mm Ø 300 mm Ø 315 mm Ø 360 mm | 30° 90° 0° (Solo per / Only Ø 200, Ø 315) | A; B; C; D; E; I; Q | MTV716C... MTV816C... |
| | Ø 200 mm Ø 244 mm Ø 315 mm | 0° 30° 90° | A | MTV717C... MTV817C... |
| | Ø 300 mm Ø 315 mm Ø 360 mm Ø 400 mm Ø 450 mm | 30° | A; B | MTV722C... MTV822C... |
| | Ø 450 mm | 30° | A | MTV723C... MTV823C... |
| | Ø 200 mm Ø 270 mm Ø 300 mm Ø 315 mm Ø 360 mm | 30° | A; B | MTV726C... MTV826C... |
| | Ø 200 mm Ø 315 mm | 0° 30° 90° | A; C; D | MTV732C... MTV832C... |
| | Ø 200 mm | 0° 30° | A; L; N; Q | MTV743C... MTV843C... |
| | Ø 270 mm Ø 360 mm | 30° | B | MTV747C... MTV847C... |
| | h 270 mm | 30° | A; G | MTV712T... MTV812T... |
| | h 180 mm h 200 mm h 204 mm h 220 mm h 225 mm h 230 mm h 240 mm h 250 mm h 270 mm h 300 mm | 0° 25° (Solo per / Only h 200, h 220, h 240, h 270) | A; B; E; G; C; F | MTV713T... MTV813T... |
| | h 180 mm h 190 mm h 200 mm h 204 mm h 220 mm h 225 mm h 230 mm h 240 mm h 250 mm h 270 mm h 300 mm Ø 600 mm Ø 630 mm Ø 650 mm Ø 680 mm Ø 720 mm | 0° 30° 37° | A; B; C; E; F; G; M | MTV714T... MTV814T... |
| h 200 mm h 225 mm | 0° | A; D | MTV717T... MTV817T... | |
| h 180 mm h 185 mm h 225 mm | 30° 37° (Solo per / Only Ø 180) | A; C; D | MTV718T... MTV818T... | |
| h 250 mm | 30° | B | MTV722T... MTV822T... | |
| h 200 mm h 225 mm h 240 mm h 250 mm | 30° | B | MTV724T... MTV824T... | |
| h 200 mm | 0° | A | MTV733T... MTV833T... | |
| h 180 mm | 37° | A | MTV741T... MTV841T... | |
| h 220 mm h 240 mm h 270 mm | 0° | A; B | MTV748T... MTV848T... | |

PRE

Presca carica esterna
External filling valve

Caratteristiche tecniche / Technical specifications

| | |
|---|----------------|
| Materiale / Material | Ottone / Brass |
| Temperatura di esercizio Working temperature | -40° C +120° C |
| Massima pressione di esercizio Max. working pressure | 30 bar |
| Sezione minima di passaggio del gas Minimum gas flowing area | Ø 5 mm |
| Omologazione / Approval | E67-01 |



Codifica / Part n°

PRE F4 . B N

TIPO, CONNESSIONE / TYPE, CONNECTION

F4: Per tubo Flex 1/4" / For 1/4" Flex pipe

FR: Francia / France

F8: Tipo "F" Ø 8 mm / Type "F" Ø 8 mm

C8: Corta Ø 8 mm / Short Ø 8 mm

B8: Bicchiere Ø 8 mm / Filling valve Ø 8 mm

S0: Standard per tubo Ø 10 mm / Standard for Ø 10 mm pipe

SB: Per sportello benzina / For petrol filler box lid

F0: Tipo "F" Ø 10 mm / Type "F" Ø 10 mm

L0: Lunga Ø 10 mm / Long Ø 10 mm

BICCHIERE / FILLING VALVE

B: Con bicchiere / With filling valve

N: Senza bicchiere / Without filling valve

ACCESSORI / DEVICES

N: Senza accessori / Without devices

A: Bicono, dado / Bicone, nut

B: Scatola, bicono, dado / Box, bicone, nut

C: Prolunga, bicono, dado / Extension, bicone, nut

D: Viti autofilettanti, bicono, dado / Self-threading screws, bicone, nut

E: Scatola, controscatola, viti autofilettanti / Box, counter-box, self-threading screws

F: Prolunga, viti autofilettanti, dado / Extension, self-threading screws, nut

G: Scatola, viti, bicono, dado / Box, screws, bicone, nut

H: Dado di fissaggio, prolunga, bicono, dado / Fixing nut, extension, bicone, nut

I: Viti autofilettanti, prolunga, bicono, dado / Self-threading screws, extension, bicone, nut

L: Dado di fissaggio, bicono, dado / Fixing nut, bicone, nut

M: Scatola, controscatola, bicono, dado, viti autofilettanti / Box, counter-box, bicone, nut, self-threading screws

O: Curvetta, dado, bicono, viti, staffa / Elbow, nut, bicone, screws, bracket

P: Scatola, viti, dado, bicono, staffa / Box, screws, nut, bicone, bracket

Q: Tappo a vite, dado, bicono, viti, staffa / Screw cap, nut, bicone, screws, bracket

R: Scatola, viti, bicono, dado, curvetta, staffa / Box, screws, bicone, nut, elbow, bracket

S: Scatola, controscatola, bicono, dado, viti autofilettanti, dado di fissaggio / Box, counter-box, bicone, nut, self-threading screws, fixing nut

T: Tappo a vite, laccio, dado, bicono, viti, staffa, curvetta / Screw cap, strap, nut, bicone, screws, bracket, elbow

Alcune versioni disponibili / Some available part n°

| Tipo, Connessione Type, Connection | Bicchieri Filling valve | Accessori / Devices | Codice Emer Emer part n° | Codice Emer obsoleto Former Emer part n° |
|--|----------------------------|--|-----------------------------------|---|
| Per sportello benzina For petrol filler box lid | - | - | PRESB.NN | PCEG55701C |
| | ✓ | Dado di fissaggio, prolunga, bicono, dado / Fixing nut, extension, bicone, nut | PRESB.BH | PCEG557 (Alternativo / Alternative PCEG574) |
| | | Viti autofilettanti, prolunga, bicono, dado Self-threading screws, extension, bicone, nut | PRESB.BI | PCEG561 |
| | | Viti autofilettanti, bicono, dado / Self-threading screws, bicone, nut | PRESB.BD | PCEG574 |
| Tipo "F" Ø 8 mm Type "F" Ø 8 mm | ✓ | Prolunga, bicono, dado / Extension, bicone, nut | PRESB.BC | PCEG574A (PCEG574C + Acc. / Dev.) |
| Corta Ø 8 mm Short Ø 8 mm | - | Dado di fissaggio, bicono, dado / Fixing nut, bicone, nut | PREF8.BL | PCEG568 |
| | ✓ | - | PREC8.NN | PCEG575 |
| Tipo "F" Ø 10 mm Type "F" Ø 10 mm | - | Scatola, controscatola, bicono, dado, viti autofilettanti Box, counter-box, bicone, nut, self-threading screws | PREC8.NM | PCEG578 (PCEG575 + Acc. / Dev.) |
| | ✓ | Dado di fissaggio, bicono, dado / Fixing nut, bicone, nut | PREC8.BL | PCEG587 (PCEG575 + Acc. / Dev.) |
| Standard per tubo Ø 10 mm Standard for Ø 10 mm pipe | - | - | PREF0.NN | PCEG591 |
| | ✓ | Scatola, controscatola, bicono, dado, viti autofilettanti, dado di fissaggio Box, counter-box, bicone, nut, self-threading screws, fixing nut | PREF0.NS | PCEG592 (PCEG591 + Acc. / Dev.) |
| Lunga Ø 10 mm Long Ø 10 mm | ✓ | - | PRES0.BN | PCEG570 |
| Francia / France | - | Scatola, controscatola, bicono, dado, viti autofilettanti Box, counter-box, bicone, nut, self-threading screws | PRES0.BM | PCEG571 |
| | ✓ | - | PRELO.BN | PCEG595.R00 |
| Per tubo Flex 1/4" / For 1/4" Flex pipe | - | Scatola, controscatola, viti autofilettanti / Box, counter-box, self-threading screws | PREFR.BN | PCEG560 |
| | ✓ | Prolunga, viti autofilettanti, dado / Extension, self-threading screws, nut | PREFR.BE | PCEG579 (PCEG560 + Acc. / Dev.) |
| Bicchieri Ø 8 mm Filling valve Ø 8 mm | ✓ | - | PREF4.BF | PCEG594 |
| | | Scatola, viti, bicono, dado, curvetta, staffa Box, screws, bicone, nut, elbow, bracket | PREF8.BN | PRE10027 / INOX |
| | | Tappo a vite, laccio, dado, bicono, viti, staffa, curvetta Screw cap, strap, nut, bicone, screws, bracket, elbow | PREF8.BR | PRE10001 (PRE10027 + Acc. / Dev.) |
| | | Scatola, controscatola, bicono, dado, viti autofilettanti Box, counter-box, bicone, nut, self-threading screws | PREF8.BT | PRE10002 (PRE10027 + Acc. / Dev.) |
| | | Bicono, dado / Bicone, nut | PREF8.BM | PRE10058 (PRE10027 + Acc. / Dev.) |
| | | Tappo a vite, dado, bicono, viti, staffa / Screw cap, nut, bicone, screws, bracket | PREF8.BA | PRE10058COMIN (PRE10027 + Acc. / Dev.) |
| | | Curvetta, dado, bicono, viti, staffa / Elbow, nut, bicone, screws, bracket | PREF8.BQ | PRE10059 (PRE10027 + Acc. / Dev.) |
| | | Scatola, viti, dado, bicono, staffa / Box, screws, nut, bicone, bracket | PREF8.BO | PRE10064 (PRE10027 + Acc. / Dev.) |
| | | Scatola, bicono, dado / Box, bicone, nut | PREF8.BP | PRE10066 (PRE10027 + Acc. / Dev.) |
| | | PREF8.BB | PRE10071 (PRE10027 + Acc. / Dev.) | |

Disponibile versione con bicchiere in acciaio / Available version with steel filling valve

E' possibile realizzare tutte le configurazioni con i seguenti tipi di filettature di connessione:

It's possible to realize all kind of configurations with following thread connections:

- Standard (Ø8 mm, Ø10 mm) / Standard (Ø8 mm, Ø10 mm)

- Tipo Francia / Type France

- Per tubo flessibile 1/4" / For flexible 1/4" pipes