

injector



RDW

Centrum voor voertuigtechniek en informatie

N E D E R L A N D
(THE NETHERLANDS)



Prins Autogassystemen b.v.
De Run 5408
5504 DE Veldhoven
Tel.: +31 (0)40-254 77 00
Fax: +31 (0)40-254 97 49

COMMUNICATION

Concerning: APPROVAL GRANTED
APPROVAL EXTENDED
APPROVAL REFUSED
APPROVAL WITHDRAWN
PRODUCTION DEFINITELY DISCONTINUED

of a type of LPG equipment pursuant to Regulation No. 67

Approval No.: E4-67R-010092

Extension No.:

1. LPG equipment considered :

~~Container including the configuration of accessories fitted to the container, as laid down in appendix 1 to this annex:~~

- ~~- 80 per cent stop valve~~
- ~~- Level indicator~~
- ~~- Pressure relief valve (discharge valve)~~
- ~~- Pressure relief device~~
- ~~- Remotely controlled service valve with excess flow~~
- ~~- Multi valve, including the following accessories :~~
- ~~- Gas-tight housing~~
- ~~- Power supply bushing (pump/actuators)~~
- ~~- Fuel pump~~
- ~~- Vaporiser / pressure regulator~~
- ~~- Shut-off valve~~
- ~~- Non-return valve~~
- ~~- Gas tube pressure relief valve~~
- ~~- Service couplings~~
- ~~- Flexible hose~~
- ~~- Remote filling unit~~
- ~~- Gas injection device or injector~~
- ~~- Fuel rail~~
- ~~- Gas dosage unit~~
- ~~- Gas mixing piece~~
- ~~- Electronic control unit~~
- ~~- Pressure/temperature sensor~~
- ~~- LPG filter~~

Copia conforme all'originale
Faithful copy
Copie conforme à l'original
Copia conforme al original

M.T.M. s.r.l.

LNRO

Gianbeppe Cravero



Prins Autogassystemen b.v.

De Run 5408

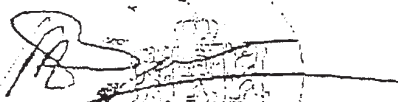
5504 DE Veldhoven

Tel.: +31 (0)40-254 77 00

Fax: +31 (0)40-254 97 49

Approval No.: E4-67R-010092

Extension:

2. Trade name or mark : Injector (type 32, 42, 52, and 62)
3. Manufacturer's name and address : Prins Autogassystemen B.V.
De Run 5408
5504DE Veldhoven
The Netherlands
4. If applicable, name of the manufacturer's representative : N.A.
5. Submitted for approval on : October 2001
6. Technical service responsible for conducting tests : Gastec Certification B.V.
P.O.box 137
7300AC APELDOORN
The Netherlands
7. Date of report issued by that service : November 2001
8. Number of report issued by that service : 121190
9. Approval : ~~granted/refused/extended/withdrawn/~~
10. Reason(s) for extension : NA
11. Place : Zoetermeer
12. Date : 12. MRT 2002
13. Signature : 
14. The documents filed with the application or extension of approval can be obtained upon request.

Copia conforme all'originale
Faithful copy
Copie conforme à l'original
Copia conforme al original

M.T.M. s.r.l.

LNRO

Gianbeppe Cravero

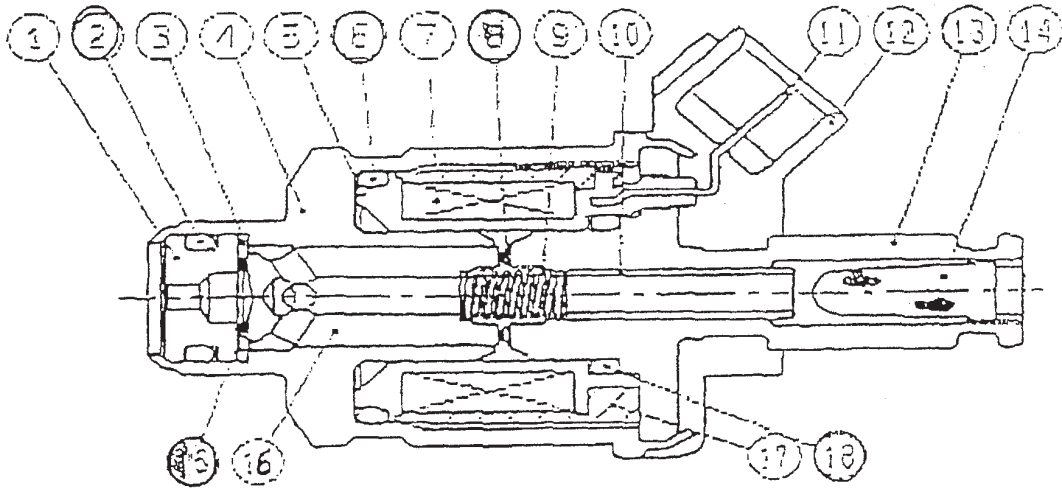


ing. A.M. Broekstein

Documentation: 0 sheets and 4 drawings

KEIHIN CNG INJECTOR'S PARTS MATERIAL

No.	NAME	QTY	MATERIAL	REMARKS
1	NOZZLE	1	SUS303	
2	O RING, 8.5x1.9	1	H-NBR	Hs60±5
3	SPACER	1	SUS304	
4	HOUSING	1	K-M62F+PTFE	
5	BOBBIN, COIL	1	PPS	
6	O RING, 19.7x1	1	H-NBR	Hs60±5
7	COIL	1	2AIW	0.45x204T
8	RUBBER	1	FKM	Hs80±5
9	SPG, COIL	1	SUS631J1-WPC	
10	COLLAR, INNER	1	SUS303	
11	TERMINAL	2	C2680R-1/2H+Sn plating	
12	CONNECTOR	1	PBT	
13	SLEEVE	1	K-M62F	
14	FILTER	1	C2600R-1/2H+SUS316 (Mesh)	#180, DIA 0.05
15	RUBBER	1	FKM + Chemical treatment	Hs80±5
16	VALVE	1	K-M62F+PTFE	
17	MOLD, OUTER	1	PPS	
18	O RING, 11.5x1	1	H-NBR	Hs60±5



Copia conforme all'originale
 Faithful copy
 Copie conforme à l'original
 Copia conforme al original

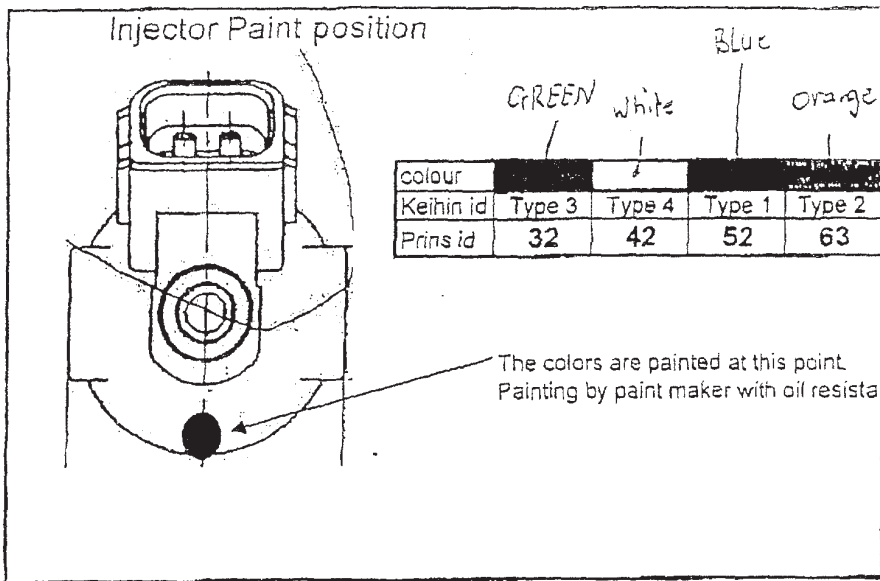
NOV 2001 12 11 90

Section: CDS

Prins Autogassystemen b.v.
 De Run 5408
 5504 DE Veldhoven
 Tel.: +31 (0)40-254 77 00
 Fax: +31 (0)40-254 97 49

M.T.M. s.r.l.
 LNRO
 Gianbeppe Cravero





NOV 2001 12 1 19 0

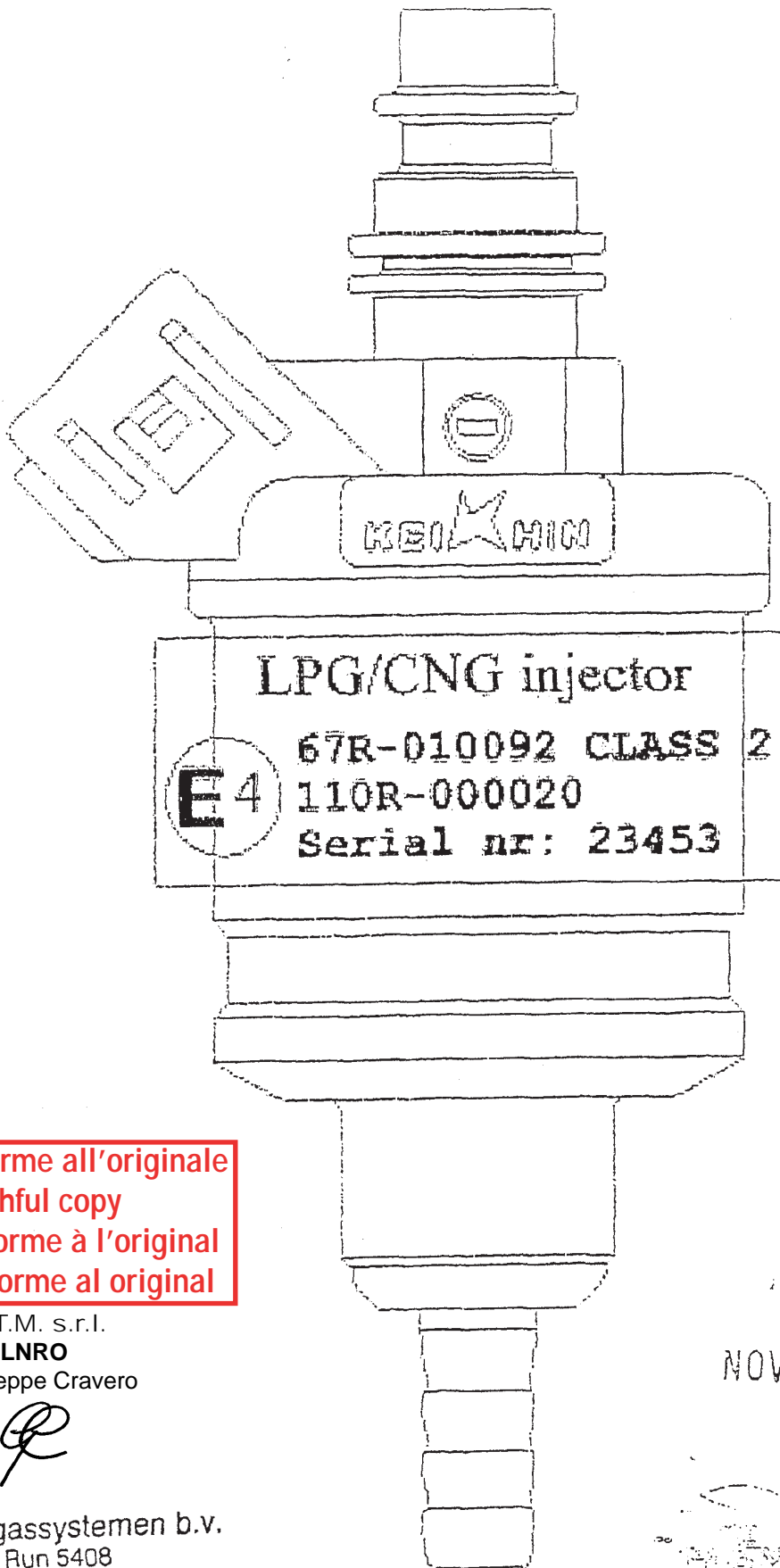
Section: CDS

Copia conforme all'originale
Faithful copy
Copie conforme à l'original
Copia conforme al original

M.T.M. s.r.l.
LNRO
 Gianbeppe Cravero

Prins Autogassystemen b.v.
 De Run 5408
 5504 DE Veldhoven
 Tel.: +31 (0)40-254 77 00
 Fax: +31 (0)40-254 97 49





Copia conforme all'originale
Faithful copy
Copie conforme à l'original
Copia conforme al original

M.T.M. s.r.l.
LNRO
Gianbeppe Cravero

Prins Autogassystemen b.v.
De Run 5408
5504 DE Veldhoven
Tel.: +31 (0)40-254 77 00
Fax: +31 (0)40-254 97 49

NOV 2001 12 11

Section: CDS



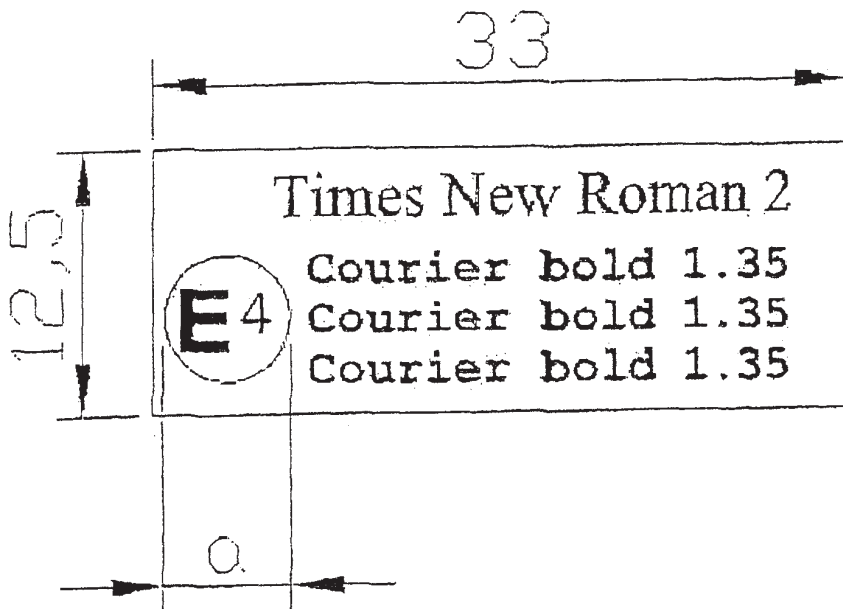
LPG/CNG injector

E4

67R-010092 CLASS 2

110R-000020

Serial nr: 23453



$a = 6 \text{ mm}$

height letter E: $a/2 = 3 \text{ mm}$

height number 4: $a/3 = 2 \text{ mm}$

Copia conforme all'originale
Faithful copy
Copie conforme à l'original
Copia conforme al original

M.T.M. s.r.l.

LNRO

Gianbeppe Cravero

NOV 2001 12 11 90

Section: CDS

Prins Autogassystemen b.v.

De Run 5408

5504 DE Veldhoven

Tel.: +31 (0)40-254 77 00

Fax: +31 (0)40-254 97 49

