

Single Stage High Pressure Adjustable Regulator JUMBO KOSAN Type 842

Part 3
REGULATORS FOR
INDUSTRIAL AND
D.I.Y. USE



**SINGLE STAGE
HIGH PRESSURE**



PRODUCT DESCRIPTION

Type 842 is an adjustable single-stage high-pressure regulator with an inlet connection clip-on designed to fit automatic/self closing cylinder valves (35 mm of diameter).

To fit the regulator to the gas cylinder, first position the regulator on top of the automatic valve and then click it simply by exerting some downwards pressure.

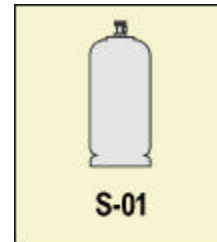
Gas regulation is possible by rotating the handle fitted on top of this regulator.

See diagram schematic: S-01 (page C17) for installation system.

MATERIALS

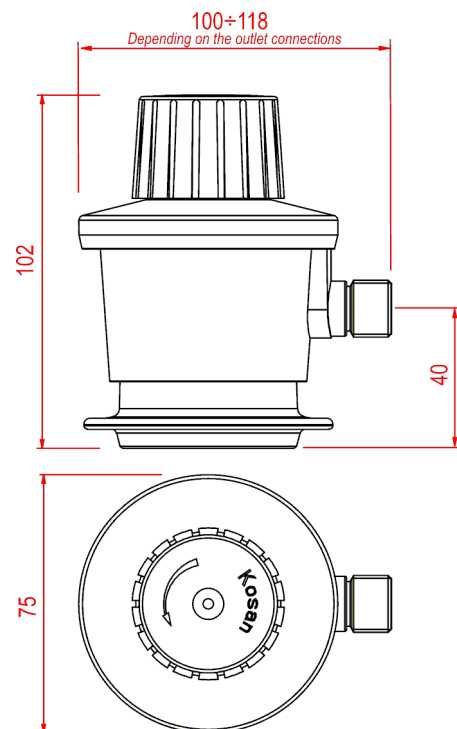
- Body : Die Cast Zinc/Painted
- Spring: : Steel
- Diaphragms : Approved NBR

INSTALLATIONS



Pag. C17

DIMENSIONS



TECHNICAL FEATURES*

GAS	OUTLET PRESSURE <i>(Depending on the gas)</i>	CAPACITY <i>(Depending on the gas)</i>	WORKING TEMPERATURE	INLET CONNECTIONS <i>(pag. D03)</i>	OUTLET CONNECTIONS <i>(pag. D05-D07)</i>
Propane Butane/Propane	0÷2 mbar	4 Kg/h	-20 ÷ +50 °C	TABLE B: B08	TABLE F: F08
					TABLE H: H04 - H11

* Note: The table shows all the variants of the configurations/technical features available for this type of regulator.
Homologation in compliance with a standard / country will relate to a specific combination of connections, technical features and performance criteria.