
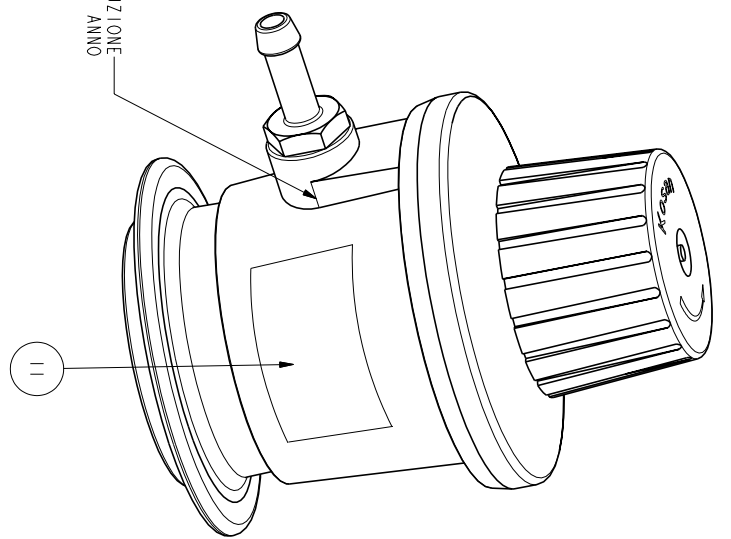


LOCTITE 638


PARTICOLARE TARGHETTA

	FOR SPECIAL APPLIANCE DO NOT USE FOR DOMESTIC APPLIANCE
	L.P.G. 05-1021 0 - 2 bar 4 Kg/h TYPE 111

STAMPILARE DATA DI PRODUZIONE
MESE (+4) - ANNO



NO	NO PRODUCT	DENOMINATION	Q.TY
1	00-2-110-0047	SCATOLA JUMBO HP	1
2	07-2-210-0002	JUMBO'S CLAMPING RING SPRING	1
3	21-2-110-0005	ANELLO DI AGGANCIO	1
4	17-1-110-0001	SFERA ANELLO JUMBO	3
5	16-1-110-1006	FILTER-STANDARD Ø 8.5 x 1.5TK	1
6	09-1-950-0078	S/I MEMBRANA JUMBO HP	1
7	01-2-150-0001	COPERCHIO HP	1
8	01-2-950-0005	S/A TOP COVER	1
9	16-2-110-0003	PORTAGOMMA 8.5 LISCIO	1
10	23-2-210-0019	BOX FOR REGULATOR KOSAN	1
11	34-2-310-0024	DATA PLATE FOR 842 REGULATOR	1
12	23-1-510-0021	STANDARD BOX KOSAN R42	1

		DENOMINATION REGULATOR HP Ø35 mm BULGARIA (HN LISCIO)		L.P.G. 2 bar 4 Kg/h	
MODEL	842	COUNTRY	N.A.	QUICK-ON	35
PERFORMANCE DOC.	TK 101	COUNTRY SPECIFIC	EN 12864	WEIGHT	SCALE
PROJ. EVOLUTION DEFINITIVE	1257-04	RELEASE LEVEL	APPROVED+	DRAWN BY	VERIFIED BY
				CONTINUI A. TOMASULLI L.	SCALDA B.
				DATE	09/02/04
				PRODUCT NO.	84-2-290-0012
				PROD. INT. GROUP	0