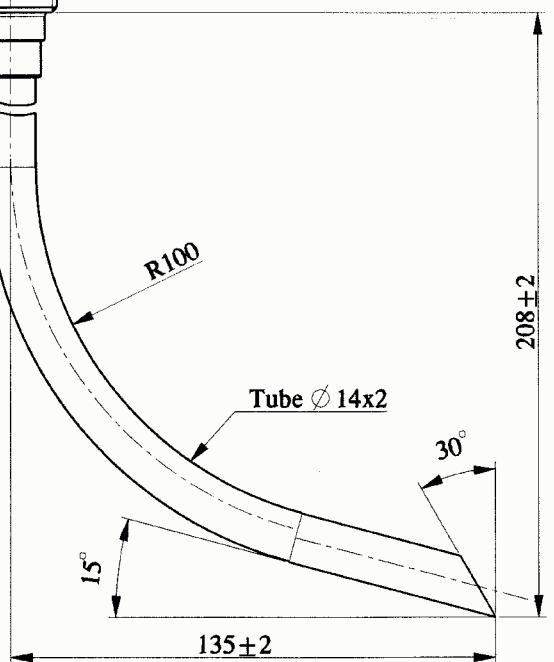
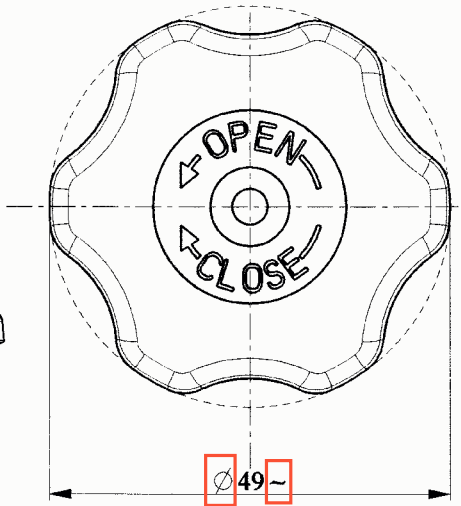
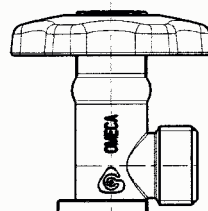
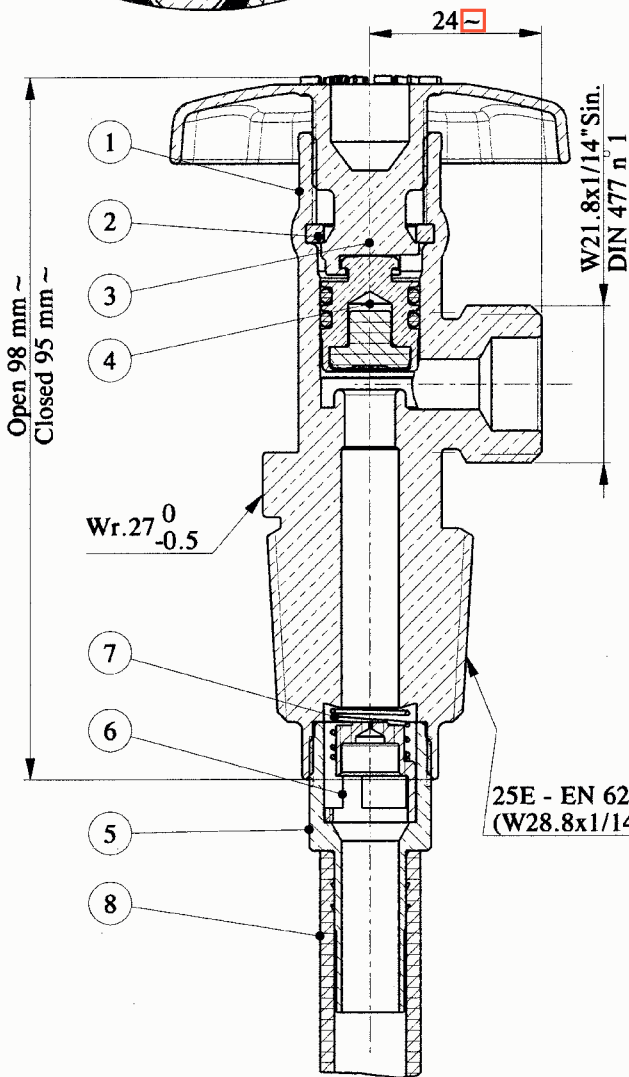
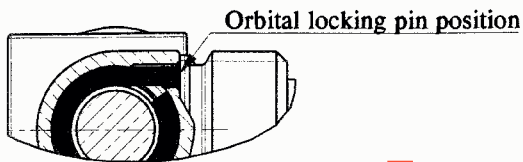


This drawing cannot be reproduced nor given to a third party without a written authorization by CAVAGNA GROUP DIV. OMECA Sp.a (ITALY)



Markings:

- CAVAGNA GROUP Symbol
- OMECA
- Month and two last figures of year of construction
- TT 0029 (logo as per draw 2001100042)

The excess flow rating is 10,8 +10%/-20% l/min of liquid propane (368-506 l/h of water)

8	Tube	1	1201100407
7	Spring	1	0701100206
6	Limiter	1	1101100037
5	Connection	1	1601100038
4	Assembled piston	1	0309500082
3	Handwheel	1	0201508506
2	Orbital locking pin	1	0501100012
1	Body	1	0101506168
POS	DENOMINATION	Q.	DRAW NR.

DESCRIPTION		Valve with excess flow limiter					
 CAVAGNA group omeca	GEN. TOLL. ±	GEN. FILL. R	ANG. TOLL. ±	DRAFT	SCALE 1:1	SHEET 1 / 1	
	RESPONS.	DRAWN	ISSUE	MATERIAL			
	DATE	20-11-95	20-11-95	-			
	SIGNATURE	Viotti	Donini	-			
	ACTIVITY	NUMBER	PROJECT	DRAW NUMBER			
	SIGN.	REFERENCE	8004903083				
	INDEX	XXXXX					