

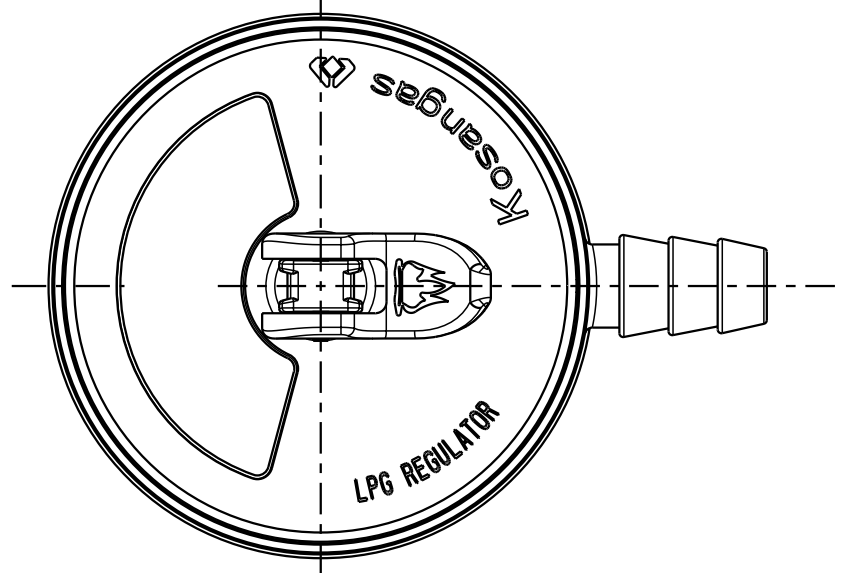
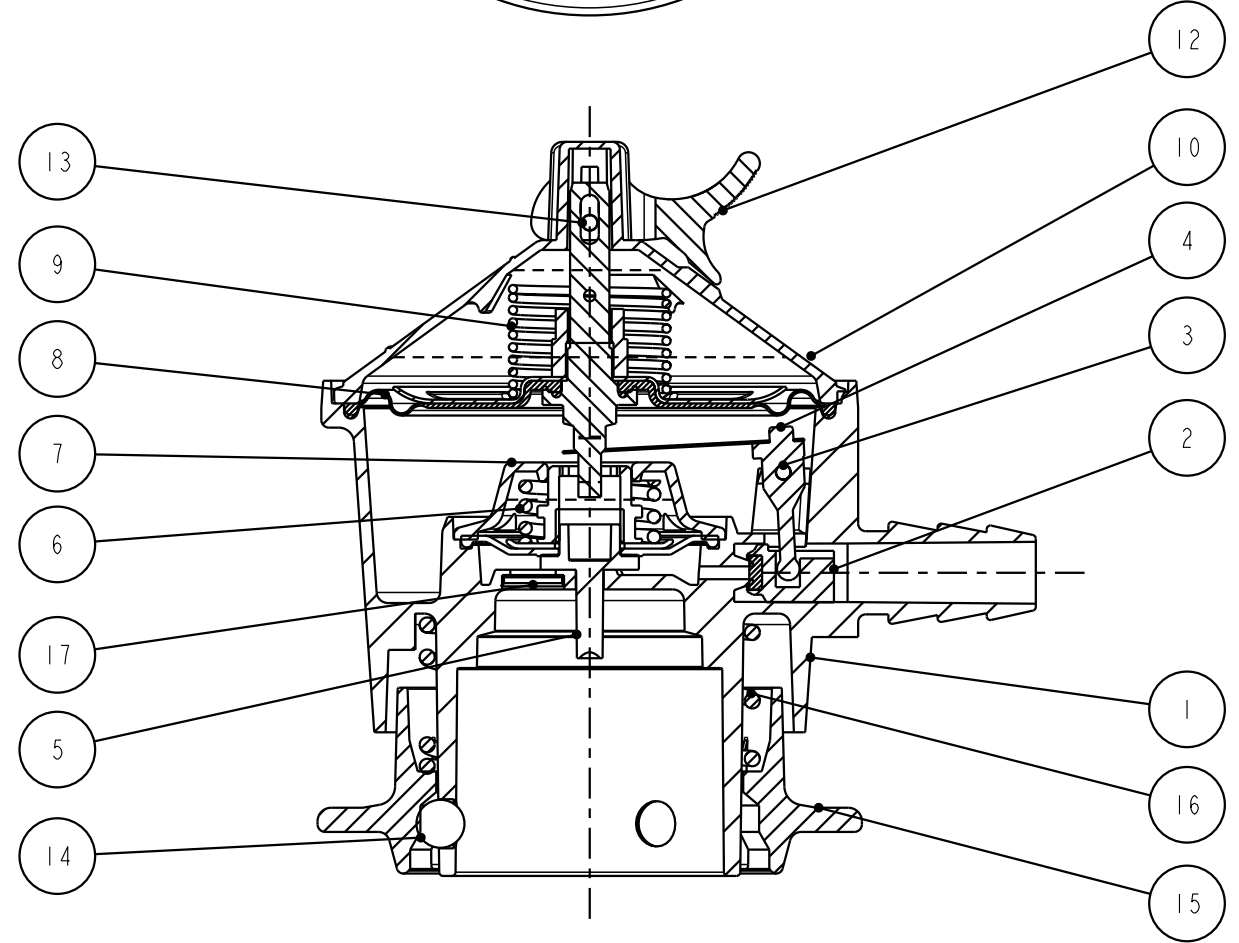
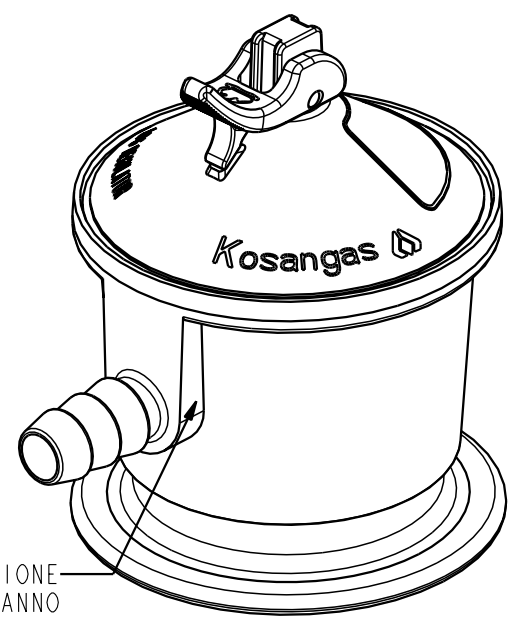
PARTICOLARE TIMBRATURA RIF.  
DISEGNO: 18-2-310-0014

**KOSANGAS**

NS Code: 58-2-490-0032  
 VS Code:  
 Description: JUMBO REGULATOR TYPE 584  
 L.P.G. 29 mbar 2 Kg/h

INLET : QUICK-ON 35  
 OUTLET : HN 13

Pcs per carton: //  
 Date: //



COLORE : GREYBLUE      STAMPIGLIARE DATA DI FABBRICAZIONE MESE (+4) - ANNO

NO	NO PRODUCT	DENOMINATION	Q.TY
1	00-1-021-3576	SCATOLA NUOVO "JUMBO" PORTAGOMMA Ø13	1
2	03-2-950-0002	JUMBO'S SUB ASSEMBLED GASKET RETAINER	1
3	05-1-110-0001	STANDARD LEVER PIN	1
4	02-2-950-0002	JUMBO'S SUB ASSEMBLED ROCKER ARM	1
5	09-2-950-0016	S/I MEMBRANA 1° STADIO KOSAN	1
6	07-2-110-0007	JUMBO'S 1st STAGE SPRING	1
7	01-2-110-0016	COPERCHIO 1° STADIO JUMBO	1
8	09-2-950-0011	S/I MEMBRANA 2° STADIO JUMBO	1
9	07-1-110-0130	PERFORMANCE SPRING	1
10	01-1-121-0030	BONNET	1
11	24-1-110-0045	GREY-BLUE PAINT	1
12	13-2-110-0005	MANIGLIA JUMBO	1
13	32-2-110-0001	RIBATTINO JUMBO (ASS)	1
14	17-1-110-0001	SFERA ANELLO JUMBO	3
15	21-2-110-0005	ANELLO DI AGGANCIO	1
16	07-2-210-0002	JUMBO'S CLAMPING RING SPRING	1
17	16-1-110-1006	FILTER-STANDARD Ø8.5 x 1.5TK	1
18	18-2-310-0014	NAME PLATE (INK STAMP) FOR TYPE 588	1
19	34-1-110-0277	NOTIZIA PER REGOLATORE MOD 584 (BULGARIA)	1
20	23-2-210-0004	SINGLE PACKAGING FOR JUMBO ( 584)	1
21	23-1-510-0021	STANDARD BOX KOSAN R42	1
22	34-1-210-1059	STICKER FOR EXPEDITION BOX	1

	DENOMINATION					
	KOSAN REGULATOR-LP-DUBLE STAGE (110A061) SPECIAL LPG 29 mbar 2 Kg/h N.A.					
KOSAN	MODEL 584	ORIFICE 2	INLET QUICK-ON 35	OUTLET HN 13	SHARED N.A.	PROD. INT GROUP N.A.
PERFORMANCE DOC. 58-001	COUNTRY EEC	COUNTRY SPECIFIC EN 12864	WEIGHT -	SCALE 1:1	MODIFY FILE 2368	PRODUCT NO 58-2-490-0032
PROG. EVOLUTION DEFINITIVE	PROJECT NO A 123-01	RELEASE LEVEL APPROVED+	DRAWN BY MORI E.	VERIFIED BY TOMASELLI L.	APPROVED BY SCHLICK B.	DATE 26/01/07
						REV 5